



Crystal Oscillators

VCXO/SMD Clock Oscillator

74.175824MHz/3.3V/APR±70ppm/AS74175VDA

■ 特長

- 周波数可変範囲: APR±70ppm/Vc=1.65V±1.65V
- 周波数安定度: ±35ppm/-20~70°C, Vdd=3.3V±5%
- 低消費電流: 14mA/74MHz/3.3V
- 動作電圧範囲: 3.3V±5%
- 動作温度範囲: -20~+70°C
- セラミックパッケージ (7×5×1.7mm)

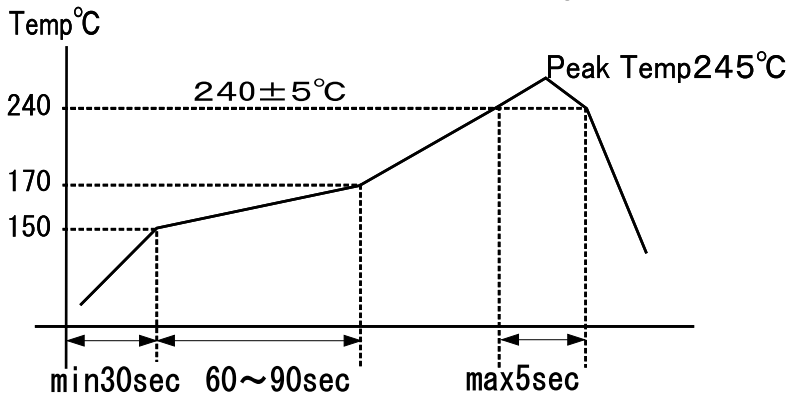
■ Features

- Frequency Deviation Range
- Frequency Stability: ±35ppm
- Low Power Consumption: 14mA/3.3V
- Operating Voltage: 3.3V±5%
- Operating Temperature: -20~+70°C
- Ceramic Package (7×5×1.7mm)

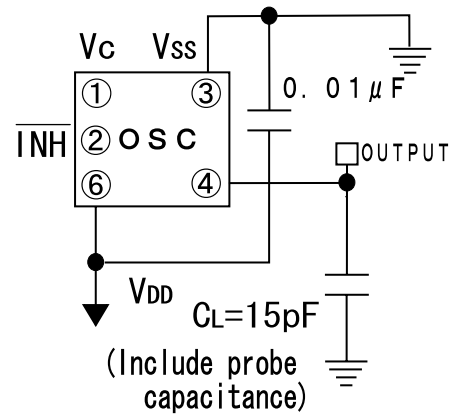
■ 電気的特性 Specifications

項目 ITEM	型名 TYPE	AS74175VDA
Output Frequency 出力周波数		74.175824MHz
Absolute Pulling Range(=Pullability-Stability) 絶対周波数可変範囲(=周波数可変幅-安定度)		±70ppm min/Vc=1.65V±1.65V
Frequency Stability 周波数安定度		±35ppm max/-20~+70°C/3.3V±5%(Initial Deviation at 25°C included, Vc=1.65V, Vdd=3.3V)
Frequency Stability/Power Supply Voltage 電源電圧周波数変動		±9.0ppm max/3.3V±5% (Reference at 25°C, Vc=1.65V)
Frequency Tuning Voltage Range 公称周波数設定電圧偏差		Vt=1.65±0.16V/VDD=3.3V/25±2°C
Operating Temperature Range 動作温度範囲		-20~+70°C
Storage Temperature Range 保存温度範囲		-40~+85°C
Power Supply Voltage 電源電圧		+3.3V±5%
Power Consumption(No Load) 消費電流(無負荷)		typ: 14mA/3.3V, max: 18mA/3.3V
Output Symmetry 出力波形対称性		45% to 55% (at 1/2VDD) / 3.3V/25°C
Rise Time/Fall Time 立ち上がり、立ち下がり時間		4.0nS max (0.3~3.0V) / 4.0nS max (3.0~0.3V)
Output Load 出力負荷		15pF
Input Level 入力レベル		V _{IH} : +3.0V min / V _{IL} : +0.3V max
Output Level 出力レベル		V _{OH} : +3.0V min / V _{OL} : +0.3V max
Assembly Temperature Range 実装温度条件		Peak Temperature 240°C±5°C for 5seconds max. Maximum Temperature: 245°C

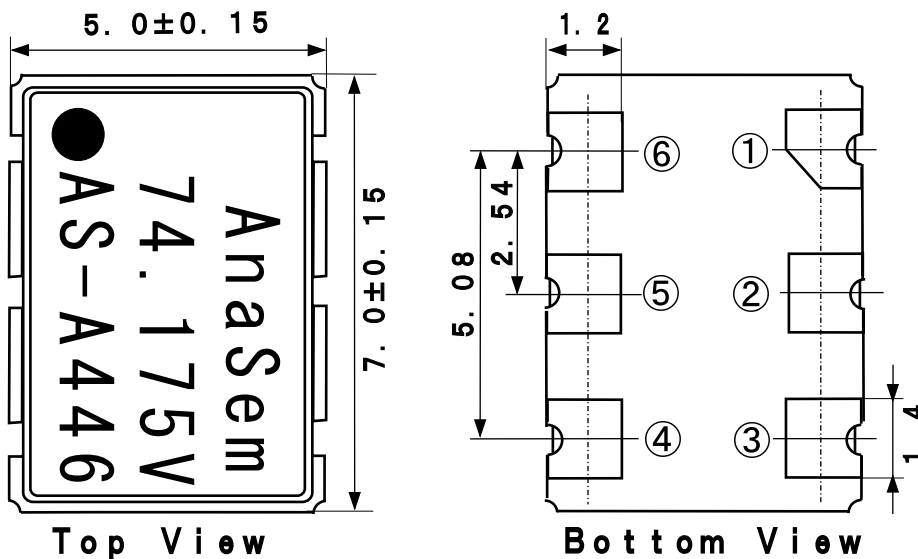
■ 推奨半田付け条件 / Recommended Reflow Soldering Condition



■ 測定回路 Measurement Circuit

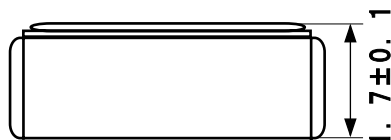


■ 外形寸法 Dimensions



■ 接続端子 Pin Connections

①	V _c
②	$\overline{\text{INH}}$
③	GND (V _{SS})
④	OUTPUT
⑤	NC
⑥	+3.3V (V _{DD})



(Unit: mm)

/ INHIBIT	
"L" Level	Open or "H" Level
High Impedance	Enable: Output

■ マーキング Marking

AS-A446

↓ ↓ ↓

a b c

a	Maker/ID: AS=AnaSem. InC
b	Product Version/A: A Version
c	Production Week&Year: 446/46th week/2004

製造元: アナセム株式会社

Maker: AnaSem. InC

〒274-0825 船橋市前原西2丁目13-10

2-13-10 Maehara Nishi Funabashi Chiba Japan

TEL (047) 470-5810 FAX 470-5825

Home Page: <http://www.anasem.co.jp>

e-mail: support@anasem.co.jp