



Crystal Oscillators

TCXO/1.5-6.0V/SMD/6.5*4*2mm
32.768KHz: +30/-60ppm[AS32768TDA]

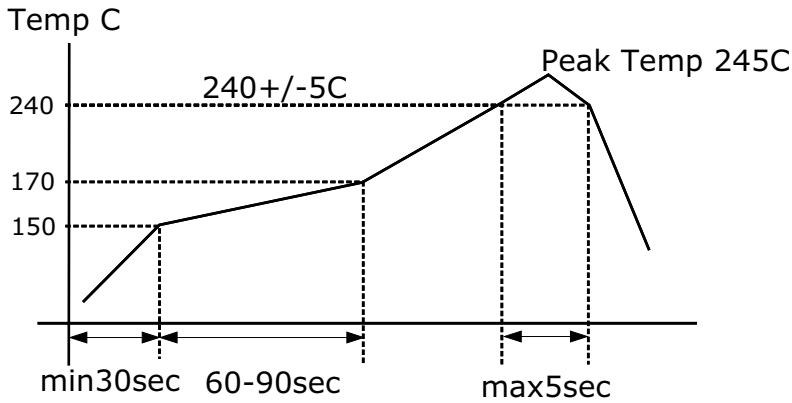
Features

- Output Frequency:32.768KHz
- Operating Voltage:1.5V to 6.0V
- Frequency Stability:+30ppm/-60ppm,Vdd=1.5V to 6.0V,-10C to +60C
- Frequency Stability at25C:+30ppm/0ppm,Vdd=1.5V-6.0V,at25C
- Lowpower Consumption:Max 5uA/Vdd=3.3V,25C
- SMD Metal Cap Ceramic Package:6.5*4*2mm
- Oscillation Start Time:Max 500msec/3.3V/25C
- Tri-State Output
- Out put Duty:45% to 55%/25C

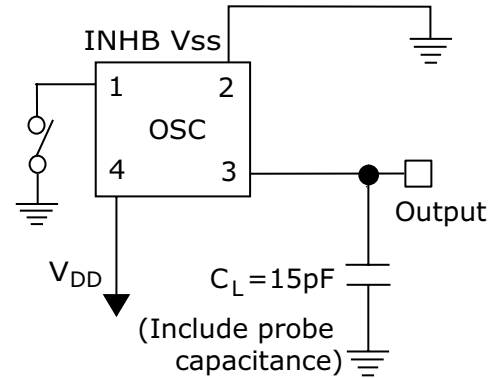
Specifications

ITEMS	TYPE	AS32768TDA
Output Frequency		32.768KHz
Frequency Stability		+30/-60ppm:-10 to 60C/V _{DD} =2.0V/6.0V +30/0ppm:25C/V _{DD} =2.0V/6.0V
Oscillation Start Time		Max 500 msec/3.3V/25C
Operating Temperature Range		-10 to +60C
Storage Temperature Range		-40 to +85C
Power SupplyVoltage		1.5V to 6.0V
Power Consumption(No Load)		typ:3uA/3.3V,max:5uA/3.3V
Output Symmetry		45% to 55%(at 1/2V _{DD})/3.3V/25C
Rise/Fall Time		80nsec max(0.3 to 3.0V)/80nsec max(3.0 to 0.3V)
Output Load		15pF
Input Level		V _{IH} :+0.9V _{DD} min/V _{IL} :+0.1V _{DD} max
Output Level		V _{OH} :+0.9V min/V _{OL} :+0.1V max
Assembly Temperature Range		Peak Temperature 240C +/- 5C for 5 sec max.Maximum Temperature 245C

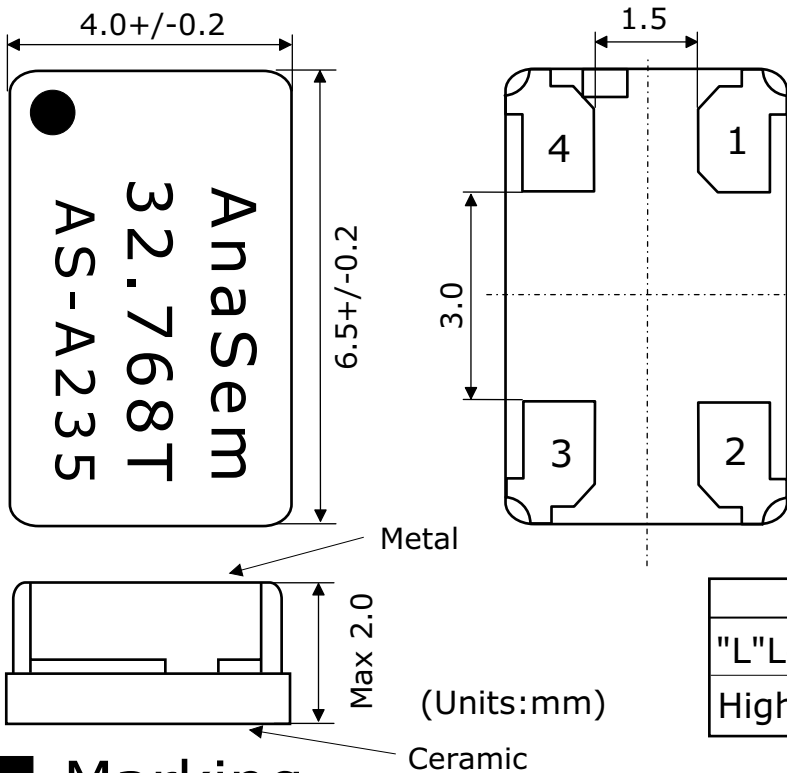
Recomended Reflow Soldering Condition



Measurement Circuit



Dimintions



Pin Connections

1	INHB
2	GND(V _{SS})
3	Output
4	+3.3V(V _{DD})

/INHIBIT	
"L"Level	Open or "H"Level
High Impedance	Enable:Output

Marking

AS-A235

↓ ↓ ↓
a b c

a	Maker/ID:AS=AnaSem
b	Product Version/A:A Version
c	Production Week & Year:235/35th week/2002

Maker:AnaSem.InC

2-13-10 Maehara Nishi Funabashi
Chiba Japan 274-0825
TEL047(470)5810FAX047(470)5825
Home Page:http://www.anasem.co.jp
e-mail:support@anasem.co.jp