

AnaSem

#05-05

Crystal Oscillators

SPXO/SMD/3225:Clock Oscillator

24.000MHz/1.7~5.5V/AS24000SKA

特長

低消費電流 1.5mA/24MHz/3.3V
セラミックパッケージ(3.2×2.5×1.0mm)
トリステート出力バッファ/INH
周波数安定度:±100ppm/-20~70
動作電圧範囲:1.7V~5.5V
出力デューティ:45~55%/25

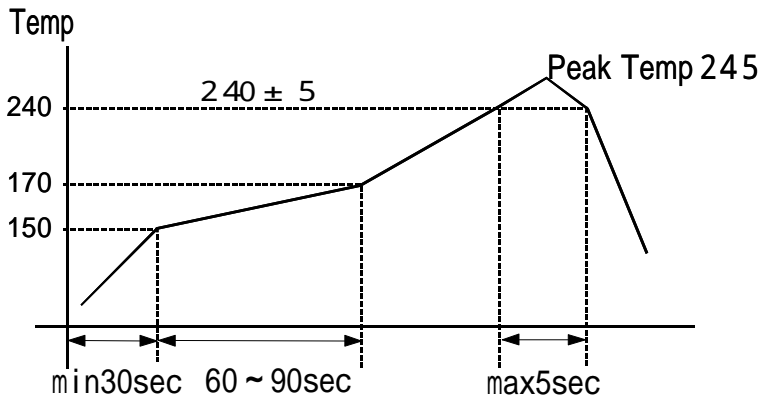
Features

Low Power Consumption:1.5mA/24MHz/3.3V
Ceramic Package (3.2×2.5×1.0mm)
Tristate Output Buffer/INH
Frequency Stability:±100ppm
Operating Voltage:1.7V~5.5V
Output Duty:45~55%/25

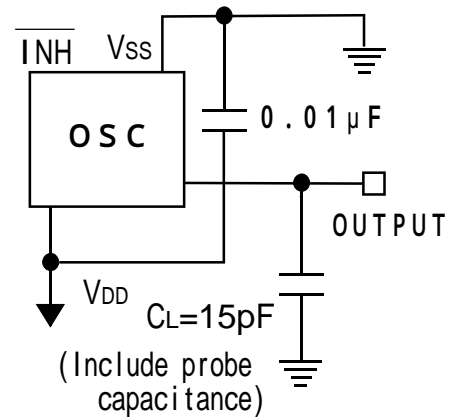
電気的特性 Specifications

| 項目 ITEM | 型名 TYPE | AS24000SKA |
|---|---------|---|
| Output Duty 出力デューティ | | CMOS |
| Output Frequency 出力周波数 | | 24.000MHz |
| Frequency Stability 周波数偏差 | | ±100ppm/-20~+70 / 1.7~5.5V |
| Operating Temperature Range 動作温度範囲 | | -20~+70 |
| Storage Temperature Range 保存温度範囲 | | -40~+85 |
| Power Supply Voltage 電源電圧 | | +1.7V~5.5V |
| Current Consumption(No Load) 消費電流(無負荷) | | Enable typ:1.5mA/3.3V,max:3mA/3.3V Disable typ:2µA/3.3V,max:4µA/3.3V |
| Output Load 出力負荷 | | 15pF |
| Output Symmetry 出力波形対称性 | | 45% to 55%(at 1/2V _{DD})/1.7~5.5V/25 |
| Rise Time/Fall Time 立ち上がり、立ち下がり時間 | | 3nS max(0.3~3.0V)/3nS max(3.0~0.3V) |
| Output Disable Time 出力ディスエーブル時間 | | max 100nS |
| Output Enable Time 出カインエーブル時間 | | max 5mS |
| Input Level 入力レベル | | V _{IH} :+3.0V min/V _{IL} :+0.3V max |
| Output Level 出力レベル | | V _{OH} :+3.0V min/V _{OL} :+0.3V max |
| Assembly Temperature Range 実装温度条件 | | Peak Temperature 240 ±5 for 5seconds max.Maximum Temperature:245 |

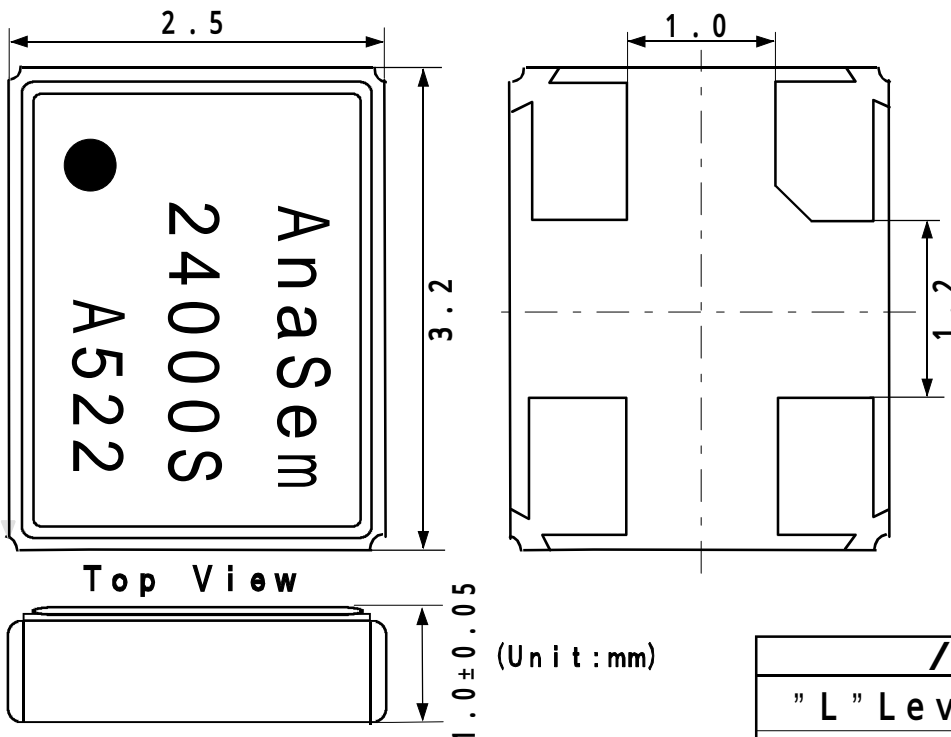
推奨半田付け条件 / Recommended Reflow Soldering Condition



測定回路 Measurement Circuit



外形寸法 Dimensions



接続端子 Pin Connections

Pin Connections

| | |
|--|--------------------------|
| | INH |
| | GND (V _{SS}) |
| | OUTPUT |
| | +3.3V (V _{DD}) |

マーキング Marking

AS - A522

↓ ↓ ↓
a b c

| | |
|---|--|
| a | Maker / ID: AS=AnaSem. InC |
| b | Product Version/A: A Version |
| c | Production Week&Year: 522/22th week/2005 |

| / INHIBIT | |
|----------------|-------------------|
| "L" Level | Open or "H" Level |
| High Impedance | Enable: Output |

製造元: アナセム株式会社

Maker: Ana Sem Inc

〒274-0825 船橋市前原西2丁目13-10

2-13-10 Maehara Nishi Funabashi Chiba Japan

TEL (047) 470-5810 FAX 470-5825

Home Page: <http://www.anasem.co.jp>

e-mail: support@anasem.co.jp