

AnaSem

# Crystal Oscillators

## VCXO/SMD Clock Oscillator

74.175824MHz/3.3V/APR±70ppm/AS74175VDA

#04-11

### 特長

- 周波数可変範囲: APR±70ppm/Vc=1.65V±1.65V
- 周波数安定度: ±35ppm/-20~70, Vdd=3.3V±5%
- 低消費電流: 14mA/74MHz/3.3V
- 動作電圧範囲: 3.3V±5%
- 動作温度範囲: -20~+70
- セラミックパッケージ(7×5×1.7mm)

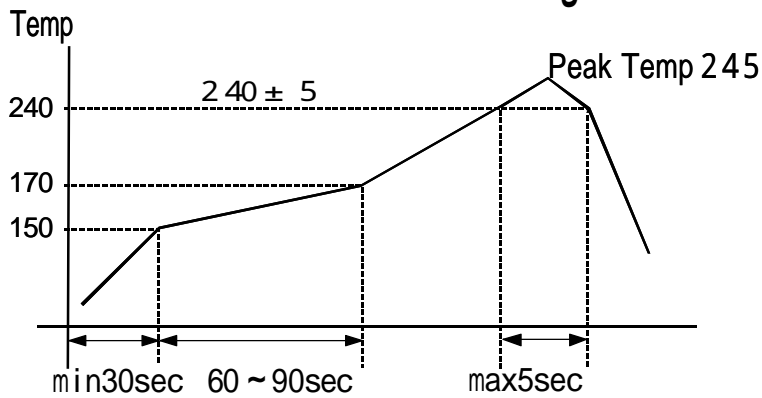
### Features

- Frequency Deviation Range
- Frequency Stability: ±35ppm
- Low Power Consumption: 14mA/3.3V
- Operating Voltage: 3.3V±5%
- Operating Temperature: -20~+70
- Ceramic Package (7×5×1.7mm)

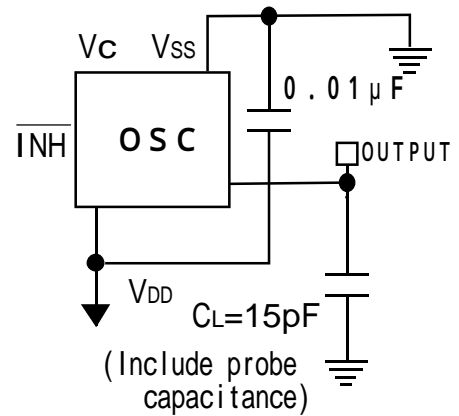
### 電気的特性 Specifications

| 項目 ITEM   | 型名 TYPE | AS74175VDA   |
|---|---------|--|
| Output Frequency<br>出力周波数   |         | 74.175824MHz   |
| Absolute Pulling Range(= Pullability-Stability)<br>絶対周波数可変範囲 (= 周波数可変幅 - 安定度) |         | ±70ppm min/Vc=1.65V±1.65V  |
| Frequency Stability<br>周波数安定度   |         | ±35ppm max/-20~+70/3.3V±5%(Initial Deviation at 25 included, Vc=1.65V, Vdd=3.3V) |
| Frequency Stability/ Power Supply Voltage<br>電源電圧周波数変動                        |         | ±9.0ppm max/3.3V±5%<br>(Reference at 25, Vc=1.65V)                               |
| Frequency Tuning Voltage Range<br>公称周波数設定電圧偏差                                 |         | Vt=1.65±0.16V/VDD=3.3V/25±2  |
| Operating Temperature Range<br>動作温度範囲   |         | -20~+70  |
| Storage Temperature Range<br>保存温度範囲   |         | -40~+85  |
| Power Supply Voltage<br>電源電圧  |         | +3.3V±5%   |
| Power Consumption(No Load)<br>消費電流(無負荷)                                       |         | typ:14mA/3.3V, max:18mA/3.3V   |
| Output Symmetry<br>出力波形対称性  |         | 45% to 55%(at 1/2VDD)/3.3V/25  |
| Rise Time/ Fall Time<br>立ち上がり、立ち下がり時間   |         | 4.0nS max(0.3~3.0V)/4.0nS max(3.0~0.3V)  |
| Output Load<br>出力負荷   |         | 15pF   |
| Input Level<br>入力レベル  |         | V <sub>IH</sub> : +3.0V min/V <sub>IL</sub> : +0.3V max                          |
| Output Level<br>出力レベル   |         | V <sub>OH</sub> : +3.0V min/V <sub>OL</sub> : +0.3V max                          |
| Assembly Temperature Range<br>実装温度条件  |         | Peak Temperature 240±5 for 5seconds<br>max. Maximum Temperature: 245             |

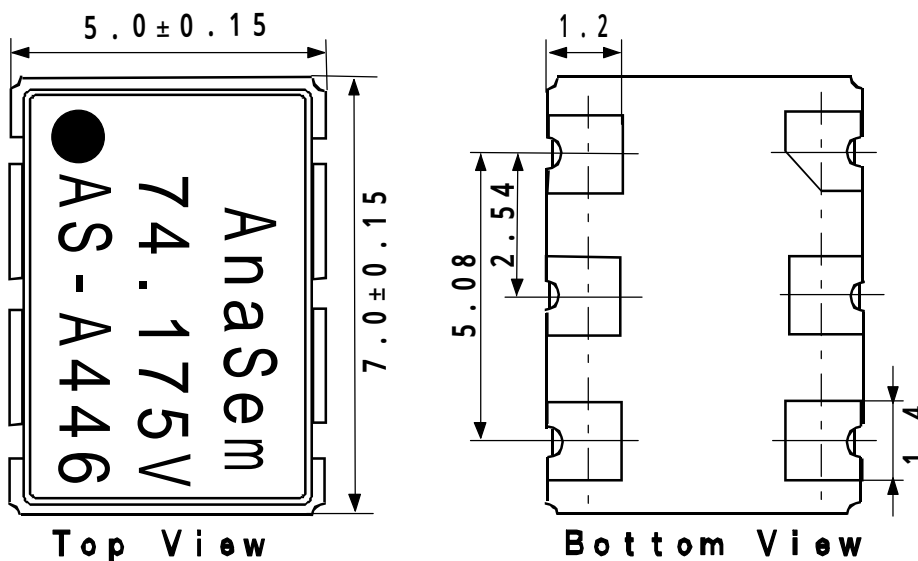
# 推奨半田付け条件 / Recommended Reflow Soldering Condition



# 測定回路 Measurement Circuit



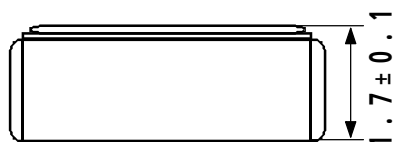
# 外形寸法 Dimensions



# 接続端子 Pin Connections

## Pin Connections

|  |             |
|--|-------------|
|  | Vc          |
|  | INH         |
|  | GND (Vss)   |
|  | OUTPUT      |
|  | NC          |
|  | +3.3V (VDD) |



(Unit: mm)

| / INHIBIT      |                   |
|----------------|-------------------|
| "L" Level      | Open or "H" Level |
| High Impedance | Enable: Output    |

# マーキング Marking

## AS - A446

↓   ↓   ↓  
a   b   c

|          |  |
|----------|--|
| <b>a</b> | Maker / ID: AS=AnaSem. InC               |
| <b>b</b> | Product Version/A: A Version             |
| <b>c</b> | Production Week&Year: 446/46th week/2004 |

製造元: **アナセム株式会社**

Maker: **Ana Sem Inc**

〒274-0825 船橋市前原西2丁目13-10

2-13-10 Maehara Nishi Funabashi Chiba Japan

TEL (047) 470-5810 FAX 470-5825

Home Page: <http://www.anasem.co.jp>

e-mail: [support@anasem.co.jp](mailto:support@anasem.co.jp)