

AnaSem

# Crystal Oscillators

## VCXO/SMD Clock Oscillator

### 54.000MHz / $\pm 100$ ppm / AS54000VCB

## 特長

周波数可変範囲:  $\pm 100$ ppm/ $V_c=1.65V \pm 1.65V$ 周波数安定度:  $\pm 30$ ppm/ $-20 \sim 70$ ,  $V_{dd}=3.3V \pm 5\%$ 

低消費電流: 10mA/54MHz/3.3V

動作電圧範囲:  $3.3V \pm 5\%$ 

セラミックパッケージ (7×5×1.7mm)

出力デューティ: 45~55%/25

## Features

Frequency Deviation Range

Frequency Stability:  $\pm 30$ ppm

Low Power Consumption: 10mA/3.3V

Operating Voltage:  $3.3V \pm 5\%$ 

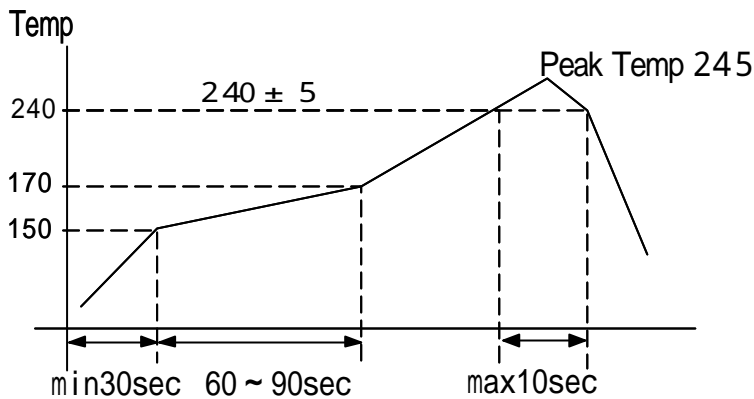
Ceramic Package (7×5×1.7mm)

Output Duty: 45~55%/25

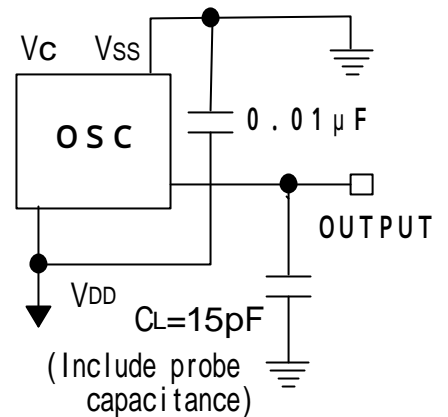
## 電気的特性 Specifications

項目 ITEM	型名 TYPE	AS54000VCB
Output Frequency 出力周波数		54.000MHz
Frequency Deviation Range 周波数可変範囲		$\pm 100$ ppm min/ $V_c=1.65V \pm 1.65V$
Frequency Stability 周波数安定度		$\pm 30$ ppm min/ $-20 \sim +70$ / $3.3V \pm 5\%$ (Initial Deviation at 25 included, $V_c=1.65V$ , $V_{dd}=3.3V$ )
Frequency Stability/ Power Supply Voltage 電源電圧周波数変動		$\pm 3.0$ ppm max/ $3.3V \pm 5\%$ (Reference at 25, $V_c=1.65V$ )
Operating Temperature Range 動作温度範囲		$-20 \sim +70$
Storage Temperature Range 保存温度範囲		$-40 \sim +85$
Power Supply Voltage 電源電圧		$+3.3V \pm 5\%$
Power Consumption (No Load) 消費電流 (無負荷)		typ: 10mA/3.3V, max: 14mA/3.3V
Output Symmetry 出力波形対称性		45% to 55% (at $1/2V_{DD}$ ) / $3.3V/25$
Rise Time/Fall Time 立ち上がり、立ち下がり時間		6.0nS max(0.3~3.0V) / 6.0nS max(3.0~0.3V)
Output Load 出力負荷		15pF
Output Level 出力レベル		$V_{OH}: +3.0V$ min / $V_{OL}: +0.3V$ max
Assembly Temperature Range 実装温度条件		Peak Temperature $240 \pm 5$ for 5seconds max. Maximum Temperature: 245

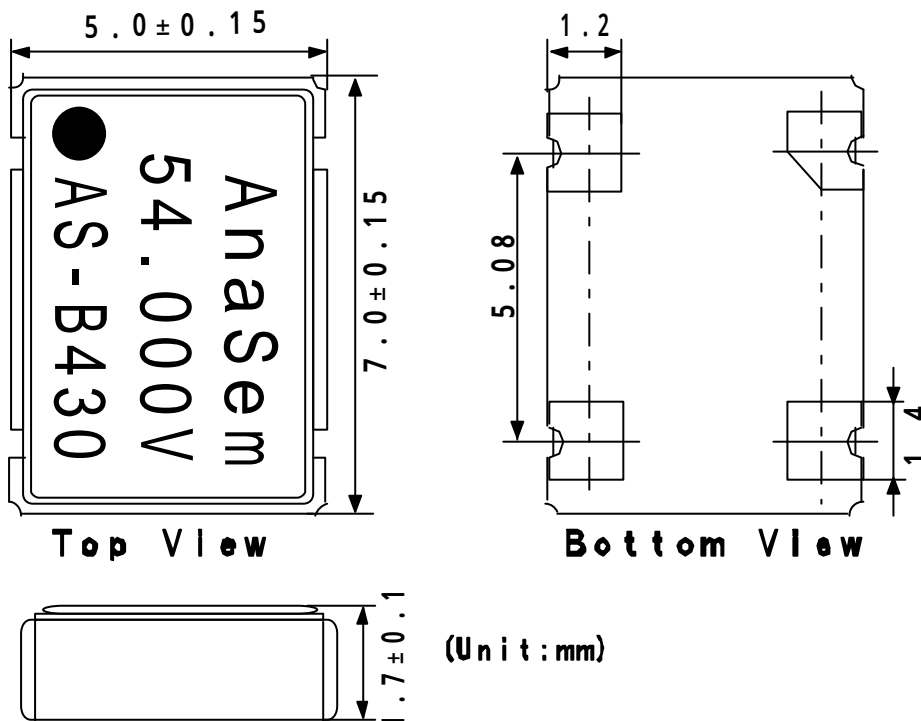
# 推奨半田付け条件 / Recommended Reflow Soldering Condition



# 測定回路 Measurement Circuit



# 外形寸法 Dimensions



# 接続端子 Pin Connections

## Pin Connections

	Vc
	GND (Vss)
	OUTPUT
	+3.3V (VDD)

# マーキング Marking

AS - B430

↓ ↓ ↓

a b c

a	Maker/ID:AS=AnaSem.InC
b	Product Version/B:B Version
c	Production Week&Year:430/30th week/2004

製造元: アナセム株式会社

Maker : Ana *Sem* *IO*

〒274-0825 船橋市前原西2丁目13-10

2-13-10 Maehara Nishi Funabashi Chiba Japan

TEL (047) 470-5810 FAX 470-5825

Home Page: <http://www.anasem.co.jp>

e-mail: [support@anasem.co.jp](mailto:support@anasem.co.jp)