

AnaSem

# Crystal Oscillators

## VCXO/SMD Clock Oscillator

### 54.000MHz / $\pm 100$ ppm / AS54000VCA

## 特長

周波数可変範囲:  $\pm 100$  ppm /  $V_c = 2.5V \pm 2.0V$   
 周波数安定度:  $\pm 30$  ppm /  $-20 \sim 70$  ,  $V_{dd} = 5.0V \pm 5\%$   
 低消費電流: 27mA / 54MHz / 5.0V  
 動作電圧範囲: 5.0V  $\pm 5\%$   
 セラミックパッケージ (7×5×1.7mm)  
 出力デューティ: 45 ~ 55% / 25

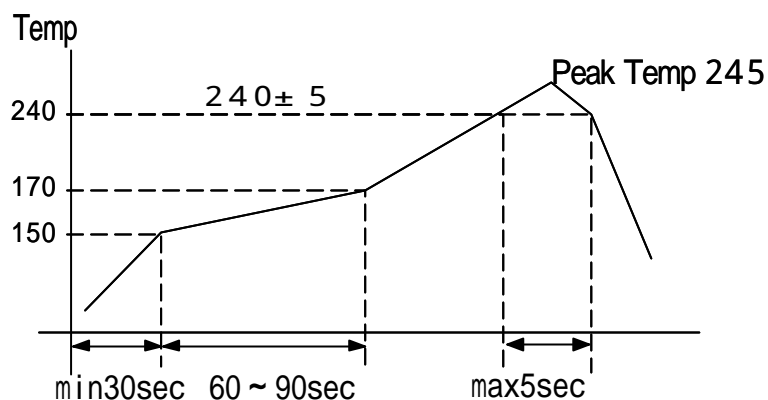
## Features

Frequency Deviation Range  
 Frequency Stability:  $\pm 30$  ppm  
 Low Power Consumption: 27mA / 5.0V  
 Operating Voltage: 5.0V  $\pm 5\%$   
 Ceramic Package (7×5×1.7mm)  
 Output Duty: 45 ~ 55% / 25

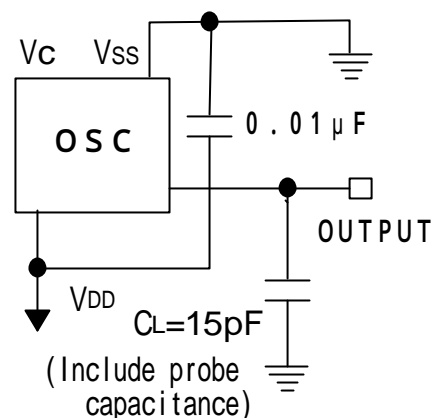
## 電気的特性 Specifications

項目 ITEM	型名 TYPE	AS54000VCA
Output Frequency 出力周波数		54.000MHz
Frequency Deviation Range 周波数可変範囲		$\pm 100$ ppm min / $V_c = 2.5V \pm 2.0V$
Frequency Stability 周波数安定度		$\pm 30$ ppm min / $-20 \sim +70$ / $5V \pm 5\%$ (Initial Deviation at 25 included, $V_c = 2.5V$ , $V_{dd} = 5.0V$ )
Frequency Stability/ Power Supply Voltage 電源電圧周波数変動		$\pm 3.0$ ppm max / $5.0V \pm 5\%$ (Reference at 25 , $V_c = 2.50V$ )
Operating Temperature Range 動作温度範囲		$-20 \sim +70$
Storage Temperature Range 保存温度範囲		$-40 \sim +85$
Power Supply Voltage 電源電圧		$+5.0V \pm 5\%$
Power Consumption (No Load) 消費電流 (無負荷)		typ: 27mA / 5.0V, max: 35mA / 5.0V
Output Symmetry 出力波形対称性		45% to 55% (at $1/2V_{DD}$ ) / 5.0V / 25
Rise Time / Fall Time 立ち上がり、立ち下がり時間		6.0nS max (0.5~4.5V) / 6.0nS max (4.5~0.5V)
Output Load 出力負荷		15 pF
Output Level 出力レベル		$V_{OH}: +4.5V$ min / $V_{OL}: +0.5V$ max
Assembly Temperature Range 実装温度条件		Peak Temperature 240 $\pm 5$ for 5seconds max. Maximum Temperature: 245

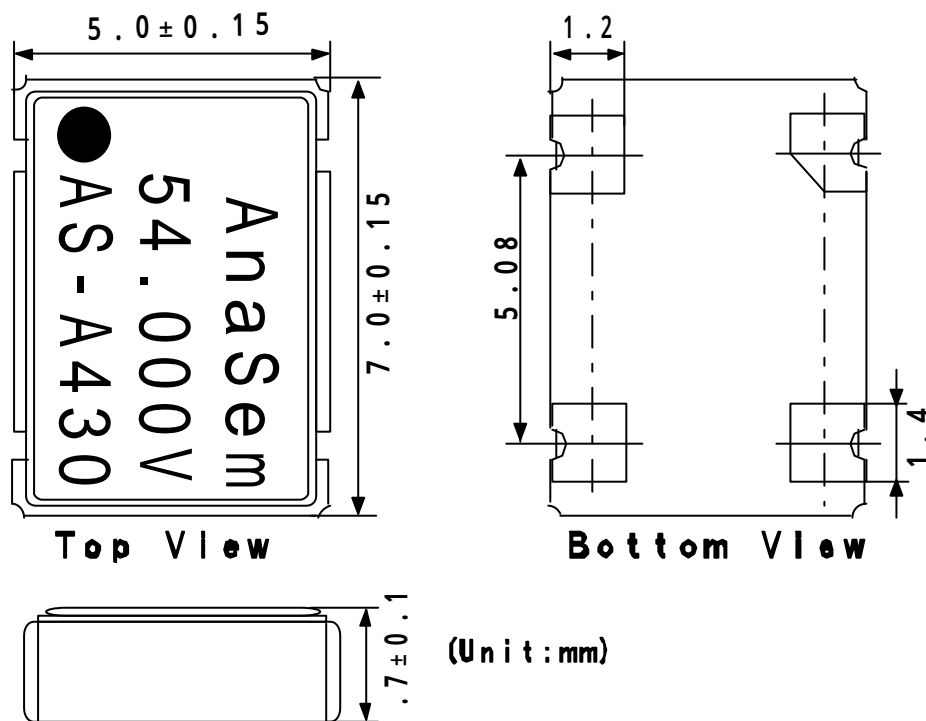
# 推奨半田付け条件 / Recommended Reflow Soldering Condition



# 測定回路 Measurement Circuit



# 外形寸法 Dimensions



# 接続端子 Pin Connections

## Pin Connections

	Vc
	GND (Vss)
	OUTPUT
	+5.0V (VDD)

# マーキング Marking

**AS - A430**

↓ ↓ ↓  
a b c

a	Maker/ID:AS=AnaSem.InC
b	Product Version/A:A Version
c	Production Week&Year:430/30th week/2004

**製造元: アナセム株式会社**

**Maker : Ana Sem Inc**

〒274-0825 船橋市前原西2丁目13-10

2-13-10 Maehara Nishi Funabashi Chiba Japan

TEL (047) 470-5810 FAX 470-5825

Home Page: <http://www.anasem.co.jp>

e-mail: [support@anasem.co.jp](mailto:support@anasem.co.jp)