

AnaSem

Crystal Oscillators

VCXO/SMD Clock Oscillator

77.000MHz / 3.3V / APR ± 70 ppm / AS77000VDA

特長

周波数可変範囲 : APR ± 70 ppm / $V_c = 1.65V \pm 1.65V$ 周波数安定度 : ± 35 ppm / -20 ~ 70 °C, $V_{dd} = 3.3V \pm 5\%$

低消費電流 : 14 mA / 77 MHz / 3.3 V

動作電圧範囲 : $3.3V \pm 5\%$

セラミックパッケージ (7 × 5 × 1.7 mm)

出力デューティ : 45 ~ 55 % / 25

Features

Frequency Deviation Range

Frequency Stability: ± 35 ppm

Low Power Consumption: 14 mA / 3.3 V

Operating Voltage: $3.3V \pm 5\%$

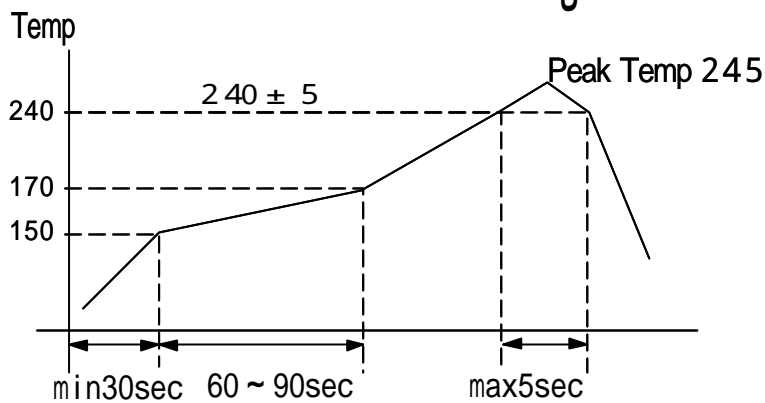
Ceramic Package (7 × 5 × 1.7 mm)

Output Duty: 45 ~ 55 % / 25

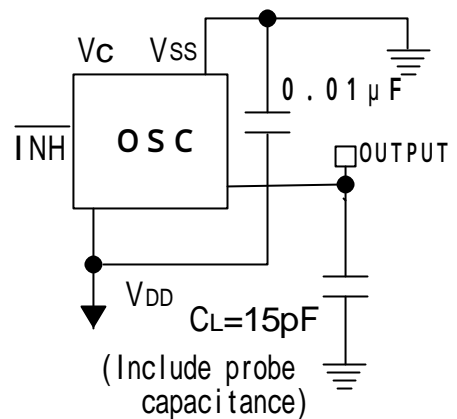
電気的特性 Specifications

項目 ITEM	型名 TYPE	AS77000VDA
Output Frequency 出力周波数		77.000 MHz
Absolute Pulling Range (= Pullability - Stability) 絶対周波数可変範囲 (= 周波数可変幅 - 安定度)		± 70 ppm min / $V_c = 1.65V \pm 1.65V$
Frequency Stability 周波数安定度		± 35 ppm max / -20 ~ +70 °C / 3.3V ± 5% (Initial Deviation at 25 °C included, $V_c = 1.65V$, $V_{dd} = 3.3V$)
Frequency Stability / Power Supply Voltage 電源電圧周波数変動		± 7.0 ppm max / 3.3V ± 5% (Reference at 25 °C, $V_c = 1.65V$)
Frequency Tuning Voltage Range 公称周波数設定電圧偏差		$V_t = 1.65 \pm 0.16V / V_{DD} = 3.3V / 25 \pm 2$
Operating Temperature Range 動作温度範囲		- 20 ~ + 70
Storage Temperature Range 保存温度範囲		- 40 ~ + 85
Power Supply Voltage 電源電圧		+ 3.3V ± 5%
Power Consumption (No Load) 消費電流 (無負荷)		typ: 14 mA / 3.3V, max: 17 mA / 3.3V
Output Symmetry 出力波形対称性		45% to 55% (at 1/2 V_{DD}) / 3.3V / 25
Rise Time / Fall Time 立ち上がり、立ち下がり時間		3.0 nS max (0.3 ~ 3.0V) / 3.0 nS max (3.0 ~ 0.3V)
Output Load 出力負荷		15 pF
Input Level 入力レベル		$V_{IH} : +3.0V$ min / $V_{IL} : +0.3V$ max
Output Level 出力レベル		$V_{OH} : +3.0V$ min / $V_{OL} : +0.3V$ max
Assembly Temperature Range 実装温度条件		Peak Temperature 240 ± 5 for 5 seconds max. Maximum Temperature: 245

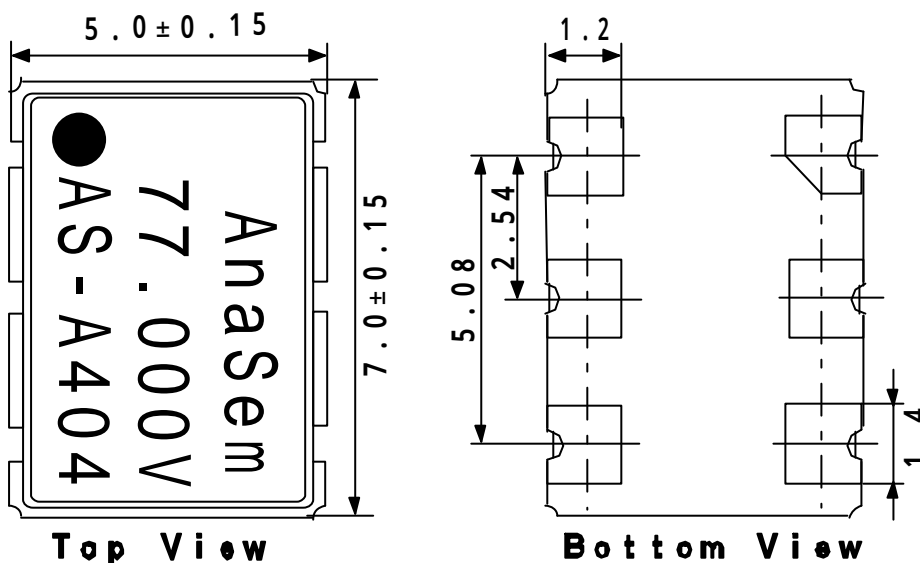
推奨半田付け条件 / Recommended Reflow Soldering Condition



測定回路 Measurement Circuit



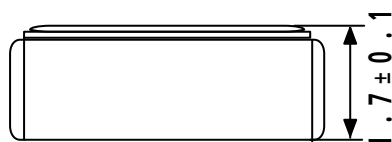
外形寸法 Dimensions



接続端子 Pin Connections

Pin Connections

	Vc
	INH
	GND (Vss)
	OUTPUT
	NC
	+3.3V (VDD)



(Unit:mm)

/ INHIBIT	
"L" Level	Open or "H" Level
High Impedance	Enable:Output

マーキング Marking

AS - A404

↓ ↓ ↓
a b c

a	Maker/ID:AS=AnaSem.InC
b	Product Version/A:A Version
c	Production Week&Year:404/04th week/2004

製造元: アナセム株式会社

Maker : Ana Sem Inc

〒274-0825 船橋市前原西2丁目13-10

2-13-10 Maehara Nishi Funabashi Chiba Japan

TEL(047)470-5810 FAX470-5825

Home Page: <http://www.anasem.co.jp>

e-mail: support@anasem.co.jp