

AnaSem

# Crystal Oscillators

## VCXO/SMD Clock Oscillator

### 74.250MHz/3.3V/APR±70ppm/AS74250VCA

## 特長

周波数可変範囲 : APR±70ppm/Vc=1.65V±1.65V  
 周波数安定度 : ±35ppm/-20~70 , Vdd=3.3V±5%  
 低消費電流 : 14mA/74MHz/3.3V  
 動作電圧範囲 : 3.3V±5%  
 セラミックパッケージ (7×5×1.7mm)  
 出力デューティ : 45~55%/25

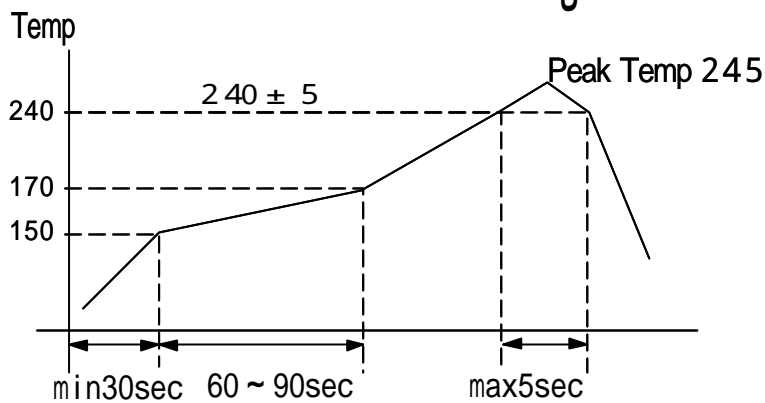
## Features

Frequency Deviation Range  
 Frequency Stability: ±35ppm  
 Low Power Consumption: 14mA/3.3V  
 Operating Voltage: 3.3V±5%  
 Ceramic Package (7×5×1.7mm)  
 Output Duty: 45~55%/25

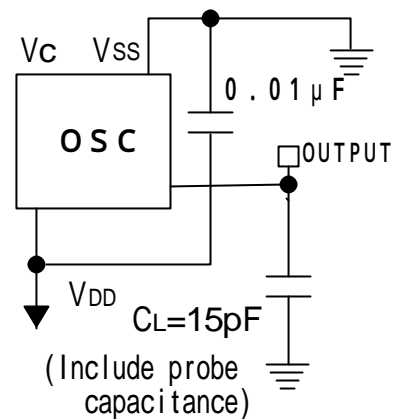
## 電気的特性 Specifications

項目 ITEM	型名 TYPE	AS74250VCA
Output Frequency 出力周波数		74.250MHz
Absolute Pulling Range (= Pullability-Stability) 絶対周波数可変範囲 (= 周波数可変幅 - 安定度)		±70ppm min/Vc=1.65V±1.65V
Frequency Stability 周波数安定度		±35ppm max/-20~+70 /3.3V±5% (Initial Deviation at 25 included, Vc=1.65V, Vdd=3.3V)
Frequency Stability/ Power Supply Voltage 電源電圧周波数変動		±9.0ppm max/3.3V±5% (Reference at 25 , Vc=1.65V)
Frequency Tuning Voltage Range 公称周波数設定電圧偏差		Vt=1.65±0.16V/VDD=3.3V/25±2
Operating Temperature Range 動作温度範囲		-20~+70
Storage Temperature Range 保存温度範囲		-40~+85
Power Supply Voltage 電源電圧		+3.3V±5%
Power Consumption (No Load) 消費電流 (無負荷)		typ: 14mA/3.3V, max: 18mA/3.3V
Output Symmetry 出力波形対称性		45% to 55% (at 1/2VDD)/3.3V/25
Rise Time/Fall Time 立ち上がり、立ち下がり時間		4.0nS max(0.3~3.0V)/4.0nS max(3.0~0.3V)
Output Load 出力負荷		15pF
Output Level 出力レベル		V <sub>OH</sub> : +3.0V min/V <sub>OL</sub> : +0.3V max
Assembly Temperature Range 実装温度条件		Peak Temperature 240 ±5 for 5seconds max. Maximum Temperature: 245

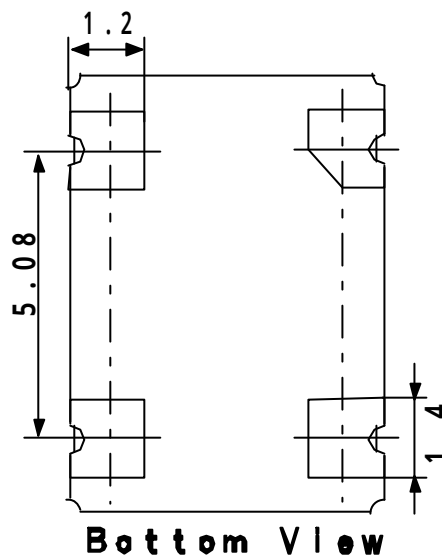
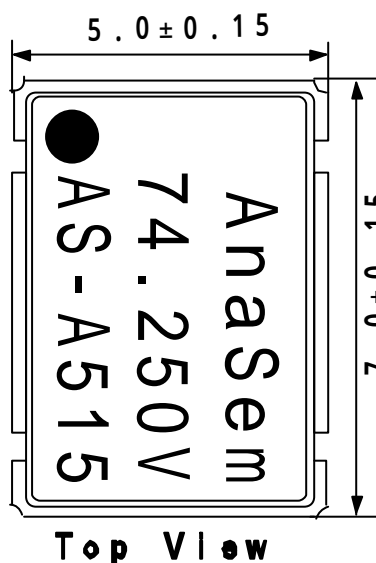
# 推奨半田付け条件 / Recommended Reflow Soldering Condition



# 測定回路 Measurement Circuit



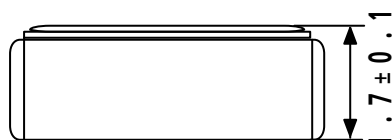
# 外形寸法 Dimensions



# 接続端子 Pin Connections

## Pin Connections

	Vc
	GND (Vss)
	OUTPUT
	+3.3V (VDD)



(Unit: mm)

# マーキング Marking

AS - A515

↓ ↓ ↓  
a b c

a	Maker / ID: AS=AnaSem. InC
b	Product Version/A: A Version
c	Production Week&Year: 515/15th week/2005

製造元: **アナセム株式会社**

Maker: **AnaSem Inc**

〒274-0825 船橋市前原西2丁目13-10

2-13-10 Maehara Nishi Funabashi Chiba Japan

TEL (047) 470-5810 FAX 470-5825

Home Page: <http://www.anasem.co.jp>

e-mail: [support@anasem.co.jp](mailto:support@anasem.co.jp)