

AnaSem

Crystal Oscillators

VCXO/SMD Clock Oscillator

72.000MHz / 3.3V / APR \pm 70ppm / AS72000VDA

特長

周波数可変範囲 : APR \pm 70ppm/Vc=1.65V \pm 1.65V周波数安定度 : \pm 35ppm/-20~70 , Vdd=3.3V \pm 5%

低消費電流 : 13mA / 72MHz / 3.3V

動作電圧範囲 : 3.3V \pm 5%セラミックパッケージ (7 \times 5 \times 1.7mm)

出力デューティ : 45~55% / 25

Features

Frequency Deviation Range

Frequency Stability: \pm 35ppm

Low Power Consumption: 13mA / 3.3V

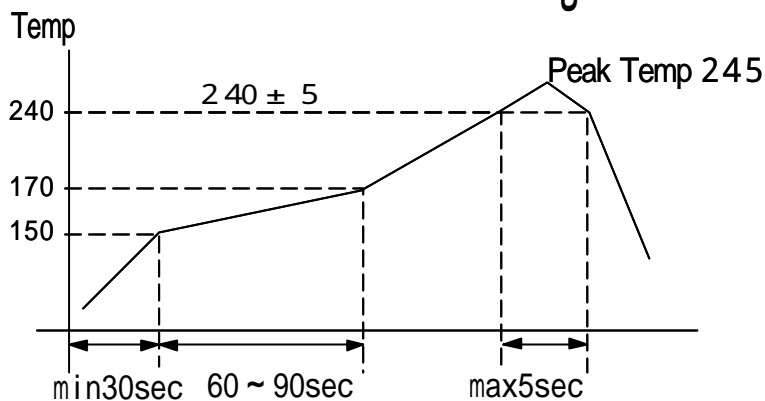
Operating Voltage: 3.3V \pm 5%Ceramic Package (7 \times 5 \times 1.7mm)

Output Duty: 45~55% / 25

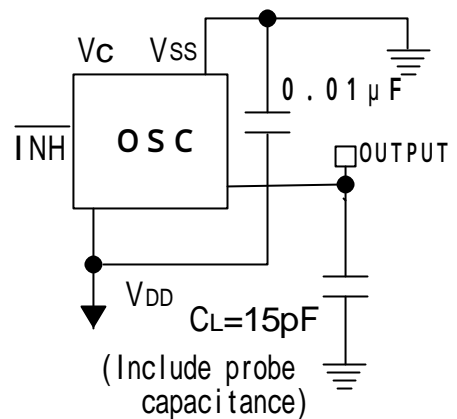
電気的特性 Specifications

項目 ITEM	型名 TYPE	AS72000VDA
Output Frequency 出力周波数		72.000MHz
Absolute Pulling Range(= Pullability- Stability) 絶対周波数可変範囲 (= 周波数可変幅 - 安定度)		\pm 70ppm min/Vc=1.65V \pm 1.65V
Frequency Stability 周波数安定度		\pm 35ppm max/-20~+70 /3.3V \pm 5%(Initial Deviation at 25 included, Vc=1.65V, Vdd=3.3V)
Frequency Stability/ Power Supply Voltage 電源電圧周波数変動		\pm 7.0ppm max/3.3V \pm 5% (Reference at 25 , Vc=1.65V)
Frequency Tuning Voltage Range 公称周波数設定電圧偏差		Vt=1.65 \pm 0.16V / V _{DD} =3.3V / 25 \pm 2
Operating Temperature Range 動作温度範囲		-20~+70
Storage Temperature Range 保存温度範囲		-40~+85
Power Supply Voltage 電源電圧		+3.3V \pm 5%
Power Consumption(No Load) 消費電流 (無負荷)		typ: 13mA / 3.3V, max: 16mA / 3.3V
Output Symmetry 出力波形対称性		45% to 55% (at 1/2V _{DD}) / 3.3V / 25
Rise Time/Fall Time 立ち上がり、立ち下がり時間		3.0nS max(0.3~3.0V) / 3.0nS max(3.0~0.3V)
Output Load 出力負荷		15pF
Input Level 入力レベル		V _{IH} : +3.0V min / V _{IL} : +0.3V max
Output Level 出力レベル		V _{OH} : +3.0V min / V _{OL} : +0.3V max
Assembly Temperature Range 実装温度条件		Peak Temperature 240 \pm 5 for 5seconds max. Maximum Temperature: 245

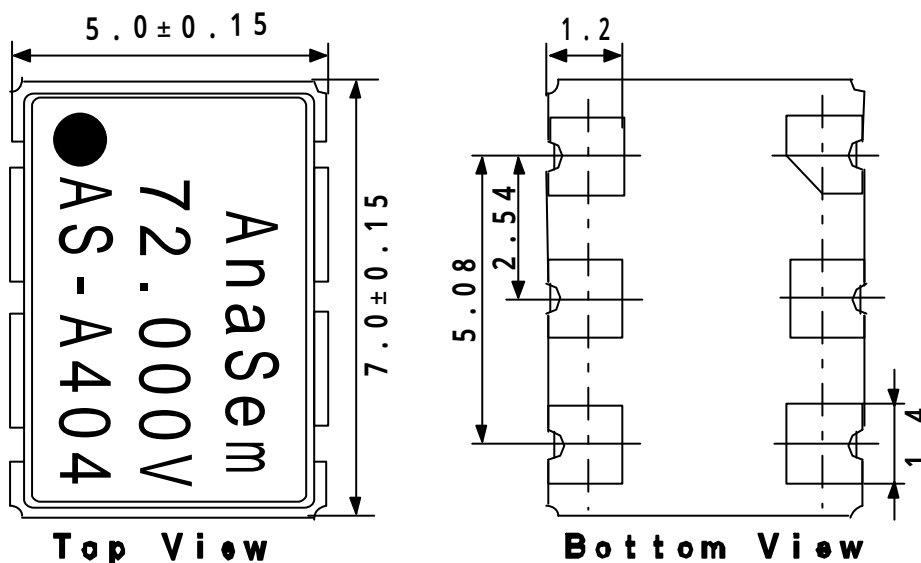
推奨半田付け条件 / Recommended Reflow Soldering Condition



測定回路 Measurement Circuit



外形寸法 Dimensions



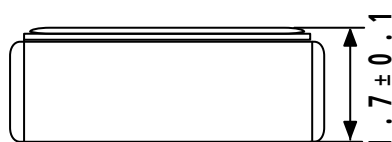
接続端子 Pin Connections

Pin Connections

	Vc
	INH
	GND (Vss)
	OUTPUT
	NC
	+3.3V (VDD)

Top View

Bottom View

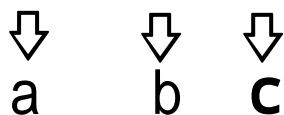


(Unit: mm)

/ INHIBIT	
"L" Level	Open or "H" Level
High Impedance	Enable: Output

マーキング Marking

AS - A404



a	Maker / ID: AS=AnaSem. InC
b	Product Version/A: A Version
c	Production Week&Year: 404/04th week/2004

製造元: **アナセム株式会社**

Maker: **AnaSem Inc**

〒274-0825 船橋市前原西2丁目13-10

2-13-10 Maehara Nishi Funabashi Chiba Japan

TEL (047) 470-5810 FAX 470-5825

Home Page: <http://www.anasem.co.jp>

e-mail: support@anasem.co.jp