

AnaSem

#03-07

Crystal Oscillators

VCXO/SMD Clock Oscillator

64.2048MHz / 3.3V/APR±70ppm/AS64204VDA

特長

- 周波数可変範囲 : APR±70ppm/Vc=1.65V±1.65V
- 周波数安定度 : ±35ppm/-20~70 , Vdd=3.3V±5%
- 低消費電流 : 10mA/64MHz/3.3V
- 動作電圧範囲 : 3.3V±5%
- セラミックパッケージ (7×5×1.7mm)
- 出力デューティ : 45~55%/at1.4V/25

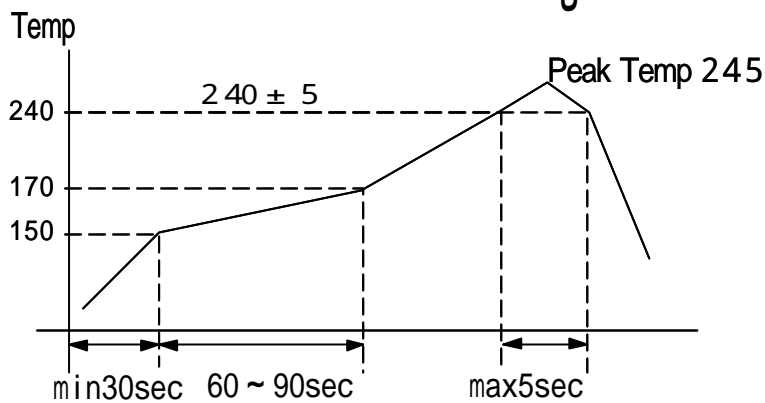
Features

- Frequency Deviation Range
- Frequency Stability: ±35ppm
- Low Power Consumption: 10mA/3.3V
- Operating Voltage: 3.3V±5%
- Ceramic Package (7×5×1.7mm)
- Output Duty: 45~55%/at1.4V/25

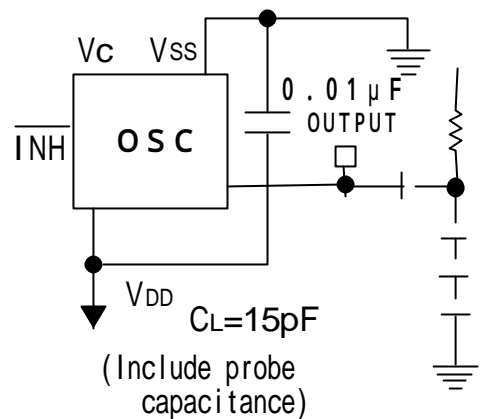
電気的特性 Specifications

項目 ITEM	型名 TYPE	AS64204VDA
Output Frequency 出力周波数		64.2048MHz
Absolute Pulling Range(= Pullability- Stability) 絶対周波数可変範囲 (= 周波数可変幅 - 安定度)		±70ppm min/Vc=1.65V±1.65V
Frequency Stability 周波数安定度		±35ppm max/-20~+70 /3.3V±5%(Initial Deviation at 25 included, Vc=1.65V, Vdd=3.3V)
Frequency Stability/ Power Supply Voltage 電源電圧周波数変動		±5.0ppm max/3.3V±5% (Reference at 25 , Vc=1.65V)
Frequency Tuning Voltage Range 公称周波数設定電圧偏差		Vt=1.65±0.16V/VDD=3.3V/25±2
Operating Temperature Range 動作温度範囲		-20~+70
Storage Temperature Range 保存温度範囲		-40~+85
Power Supply Voltage 電源電圧		+3.3V±5%
Power Consumption(No Load) 消費電流 (無負荷)		typ:10mA/3.3V, max:14mA/3.3V
Output Symmetry 出力波形対称性		45% to 55%(at 1.4V)/3.3V/25
Rise Time/Fall Time 立ち上がり、立ち下がり時間		3.0nS max(0.3~3.0V)/3.0nS max(3.0~0.3V)
Output Load 出力負荷		10LV TTL
Input Level 入力レベル		V _{IH} :+3.0V min/V _{IL} :+0.3V max
Output Level 出力レベル		V _{OH} :+3.0V min/V _{OL} :+0.3V max
Assembly Temperature Range 実装温度条件		Peak Temperature 240 ±5 for 5seconds max. Maximum Temperature:245

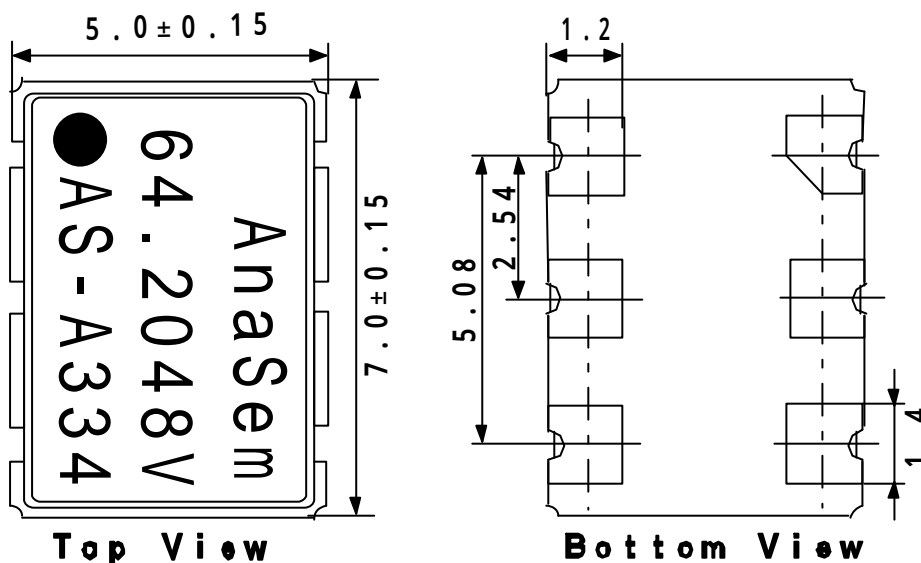
推奨半田付け条件 / Recommended Reflow Soldering Condition



測定回路 Measurement Circuit



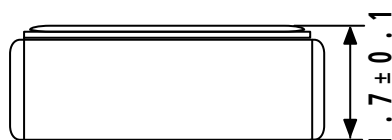
外形寸法 Dimensions



接続端子 Pin Connections

Pin Connections

	Vc
	INH
	GND (Vss)
	OUTPUT
	NC
	+3.3V (VDD)



(Unit: mm)

/ INHIBIT	
"L" Level	Open or "H" Level
High Impedance	Enable: Output

マーキング Marking

AS - A334

↓ ↓ ↓
a b c

a	Maker / ID: AS=AnaSem. InC
b	Product Version/A: A Version
c	Production Week&Year: 334/34th week/2003

製造元: アナセム株式会社

Maker : Ana Sem Inc

〒274-0825 船橋市前原西2丁目13-10

2-13-10 Maehara Nishi Funabashi Chiba Japan

TEL (047) 470-5810 FAX 470-5825

Home Page: <http://www.anasem.co.jp>

e-mail: support@anasem.co.jp