

AnaSem

Crystal Oscillators

VCXO/SMD Clock Oscillator

64.000MHz/3.3V/APR \pm 70ppm/AS64000VDA

特長

周波数可変範囲: APR \pm 70ppm/Vc=1.65V \pm 1.65V

周波数安定度: \pm 35ppm/-20~70, Vdd=3.3V \pm 5%

低消費電流: 10mA/64MHz/3.3V

動作電圧範囲: 3.3V \pm 5%

セラミックパッケージ(7 \times 5 \times 1.7mm)

出力デューティ: 45~55%/at1/2Vdd/25

Features

Frequency Deviation Range

Frequency Stability: \pm 35ppm

Low Power Consumption: 10mA/3.3V

Operating Voltage: 3.3V \pm 5%

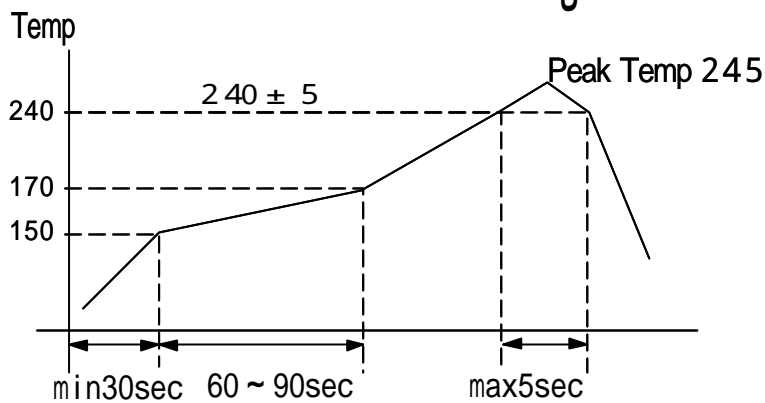
Ceramic Package (7 \times 5 \times 1.7mm)

Output Duty: 45~55%/at1/2Vdd/25

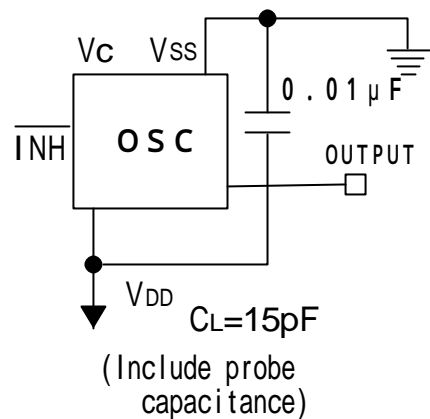
電気的特性 Specifications

| 項目 ITEM | 型名 TYPE | AS64000VDA |
|--|---------|--|
| Output Frequency 出力周波数 | | 64.0000MHz |
| Absolute Pulling Range(= Pullability- Stability) 絶対周波数可変範囲 (= 周波数可変幅 - 安定度) | | \pm 70ppm min/Vc=1.65V \pm 1.65V |
| Frequency Stability 周波数安定度 | | \pm 35ppm max/-20~+70 /3.3V \pm 5%(Initial Deviation at 25 included, Vc=1.65V, Vdd=3.3V) |
| Frequency Stability/ Power Supply Voltage 電源電圧周波数変動 | | \pm 5.0ppm max/3.3V \pm 5% (Reference at 25, Vc=1.65V) |
| Frequency Tuning Voltage Range 公称周波数設定電圧偏差 | | Vt=1.65 \pm 0.16V/VDD=3.3V/25 \pm 2 |
| Operating Temperature Range 動作温度範囲 | | -20~+70 |
| Storage Temperature Range 保存温度範囲 | | -40~+85 |
| Power Supply Voltage 電源電圧 | | +3.3V \pm 5% |
| Power Consumption(No Load) 消費電流(無負荷) | | typ: 10mA/3.3V, max: 14mA/3.3V |
| Output Symmetry 出力波形対称性 | | 45% to 55%(at 1/2Vdd)/3.3V/25 |
| Rise Time/Fall Time 立ち上がり、立ち下がり時間 | | 3.0nS max(0.3~3.0V)/3.0nS max(3.0~0.3V) |
| Output Load 出力負荷 | | 15pF |
| Input Level 入力レベル | | V _{IH} : +3.0V min/V _{IL} : +0.3V max |
| Output Level 出力レベル | | V _{OH} : +3.0V min/V _{OL} : +0.3V max |
| Assembly Temperature Range 実装温度条件 | | Peak Temperature 240 \pm 5 for 5seconds max. Maximum Temperature: 245 |

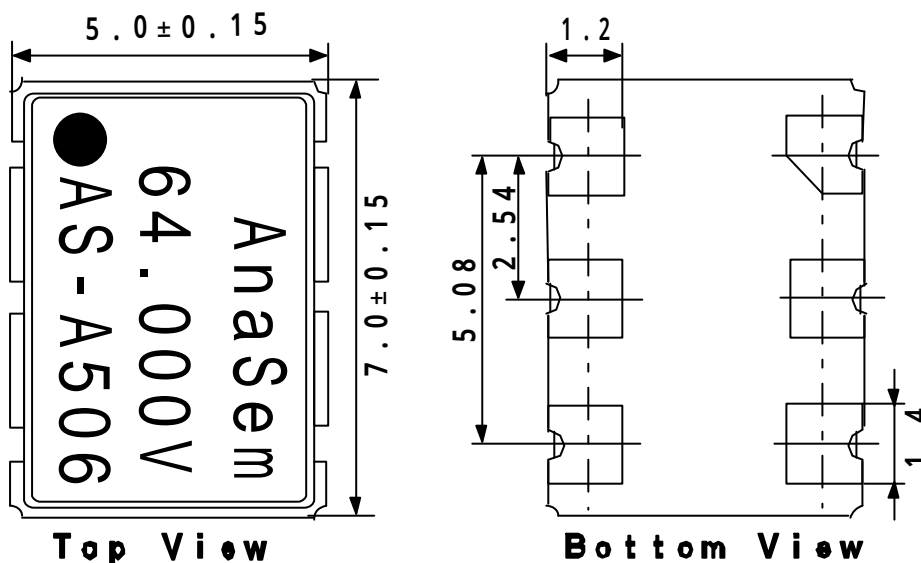
推奨半田付け条件 / Recommended Reflow Soldering Condition



測定回路 Measurement Circuit



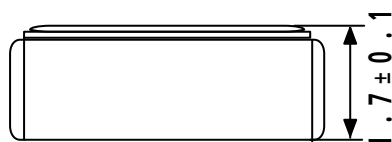
外形寸法 Dimensions



接続端子 Pin Connections

Pin Connections

| | |
|--|-------------|
| | Vc |
| | INH |
| | GND (Vss) |
| | OUTPUT |
| | NC |
| | +3.3V (VDD) |



(Unit:mm)

| / INHIBIT | |
|----------------|---------------------|
| " L " Level | Open or " H " Level |
| High Impedance | Enable:Output |

マーキング Marking

AS - A506

↓ ↓ ↓
a b c

| | |
|---|--|
| a | Maker / ID: AS=AnaSem. InC |
| b | Product Version/A: A Version |
| c | Production Week&Year: 506/06th week/2005 |

製造元: アナセム株式会社

Maker : Ana Sem Inc

〒274-0825 船橋市前原西2丁目13-10

2-13-10 Maehara Nishi Funabashi Chiba Japan

TEL (047) 470-5810 FAX 470-5825

Home Page: <http://www.anasem.co.jp>

e-mail: support@anasem.co.jp