

# Crystal Oscillators

## VCXO/SMD Clock Oscillator

62.208MHz / 3.3V / APR ± 70ppm / AS62208VDA

#05-03

### 特長

周波数可変範囲 : APR ± 70ppm /  $V_c = 1.65V \pm 1.65V$   
 周波数安定度 : ± 35ppm / -20 ~ +70 ,  $V_{dd} = 3.3V \pm 5\%$   
 低消費電流 : 12mA / 62MHz / 3.3V  
 動作電圧範囲 :  $3.3V \pm 5\%$   
 セラミックパッケージ (7×5×1.7mm)  
 出力デューティ : 45 ~ 55% / at 1/2V<sub>dd</sub> / 25

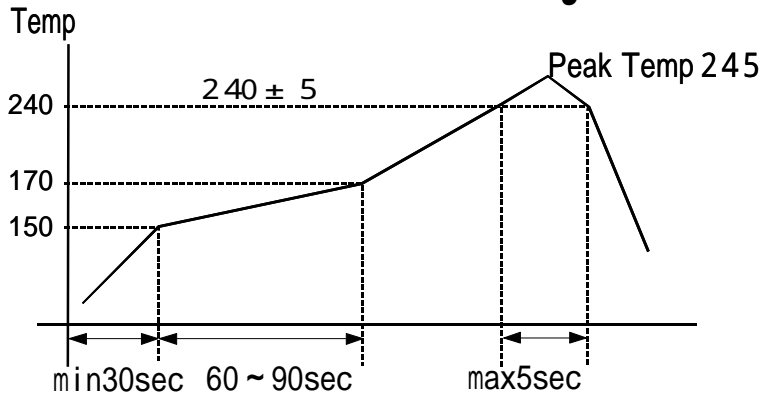
### Features

Frequency Deviation Range  
 Frequency Stability: ± 35ppm  
 Low Power Consumption: 12mA / 3.3V  
 Operating Voltage:  $3.3V \pm 5\%$   
 Ceramic Package (7×5×1.7mm)  
 Output Duty: 45 ~ 55% / at 1/2V<sub>dd</sub> / 25

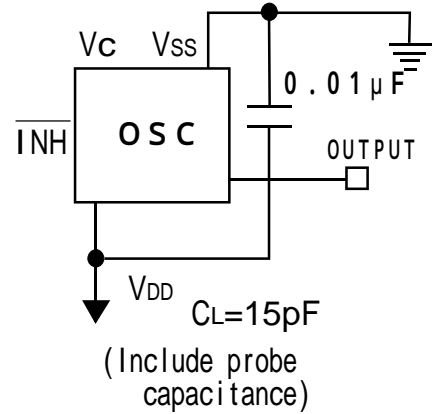
### 電気的特性 Specifications

項目 ITEM	型名 TYPE	AS62208VDA
Output Frequency 出力周波数		62.208MHz
Absolute Pulling Range (= Pullability - Stability) 絶対周波数可変範囲 (= 周波数可変幅 - 安定度)		±70ppm min / $V_c = 1.65V \pm 1.65V$
Frequency Stability 周波数安定度		±35ppm max / -20 ~ +70 / 3.3V ± 5% (Initial Deviation at 25 included, $V_c = 1.65V$ , $V_{dd} = 3.3V$ )
Frequency Stability / Power Supply Voltage 電源電圧周波数変動		±5.0ppm max / 3.3V ± 5% (Reference at 25 , $V_c = 1.65V$ )
Frequency Tuning Voltage Range 公称周波数設定電圧偏差		$V_t = 1.65 \pm 0.16V / V_{DD} = 3.3V / 25 \pm 2$
Operating Temperature Range 動作温度範囲		-20 ~ +70
Storage Temperature Range 保存温度範囲		-40 ~ +85
Power Supply Voltage 電源電圧		+3.3V ± 5%
Power Consumption (No Load) 消費電流 (無負荷)		typ: 12mA / 3.3V, max: 15mA / 3.3V
Output Symmetry 出力波形対称性		45% to 55% (at 1/2V <sub>dd</sub> ) / 3.3V / 25
Rise Time / Fall Time 立ち上がり、立ち下がり時間		4.0nS max (0.3~3.0V) / 4.0nS max (3.0~0.3V)
Output Load 出力負荷		15pF
Input Level 入力レベル		$V_{IH} : +3.0V \text{ min} / V_{IL} : +0.3V \text{ max}$
Output Level 出力レベル		$V_{OH} : +3.0V \text{ min} / V_{OL} : +0.3V \text{ max}$
Assembly Temperature Range 実装温度条件		Peak Temperature 240 ± 5 for 5seconds max. Maximum Temperature: 245

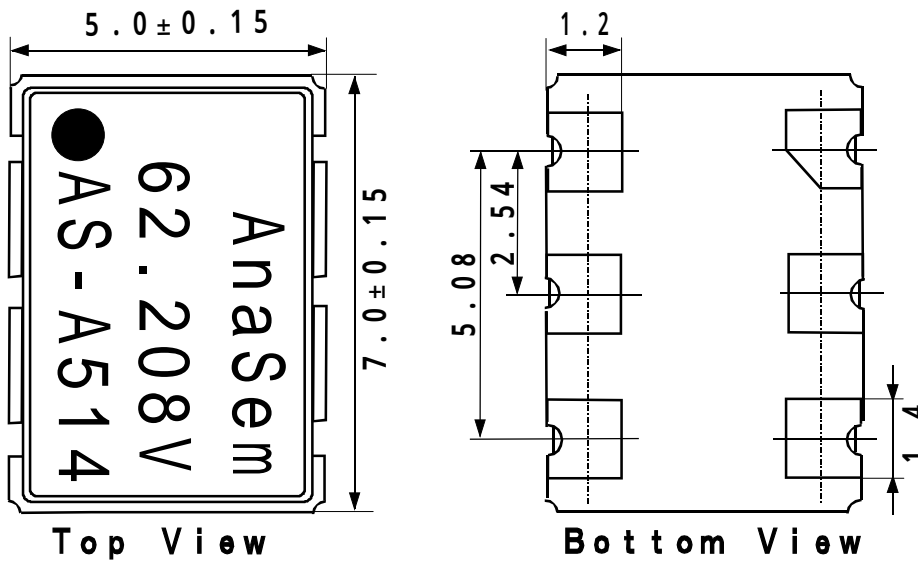
# 推奨半田付け条件 / Recommended Reflow Soldering Condition



# 測定回路 Measurement Circuit



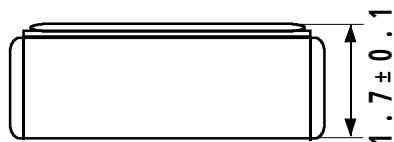
# 外形寸法 Dimensions



# 接続端子 Pin Connections

## Pin Connections

	Vc
	INH
	GND (Vss)
	OUTPUT
	NC
	+3.3V (VDD)

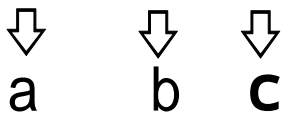


(Unit:mm)

/ INHIBIT	
"L" Level	Open or "H" Level
High Impedance	Enable: Output

# マーキング Marking

## AS - A514



<b>a</b>	Maker / ID: AS=AnaSem. InC
<b>b</b>	Product Version/A: A Version
<b>c</b>	Production Week&Year: 514/14th week/2005

製造元: **アナセム株式会社**

Maker: **AnaSem Inc**

〒274-0825 船橋市前原西2丁目13-10

2-13-10 Maehara Nishi Funabashi Chiba Japan

TEL (047) 470-5810 FAX 470-5825

Home Page: <http://www.anasem.co.jp>

e-mail: [support@anasem.co.jp](mailto:support@anasem.co.jp)