

AnaSem

Crystal Oscillators

VCXO/SMD Clock Oscillator

57.2727MHz/±100ppm/3.3V/AS57272VCB

特長

周波数可変範囲: ±100ppm/Vc=1.65V±1.65V

周波数安定度: ±30ppm/-20~70, Vdd=3.3V±5%

低消費電流: 11mA/57MHz/3.3V

動作電圧範囲: 3.3V±5%

セラミックパッケージ(7×5×1.7mm)

出力デューティ: 45~55%/25

Features

Frequency Deviation Range

Frequency Stability: ±30ppm

Low Power Consumption: 11mA/3.3V

Operating Voltage: 3.3V±5%

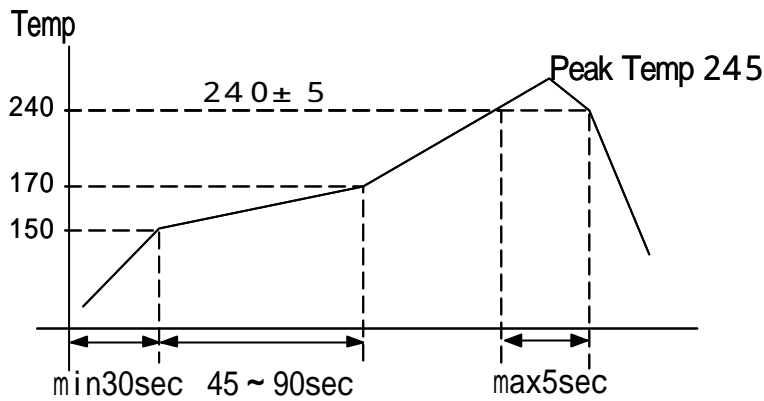
Ceramic Package (7×5×1.7mm)

Output Duty: 45~55%/25

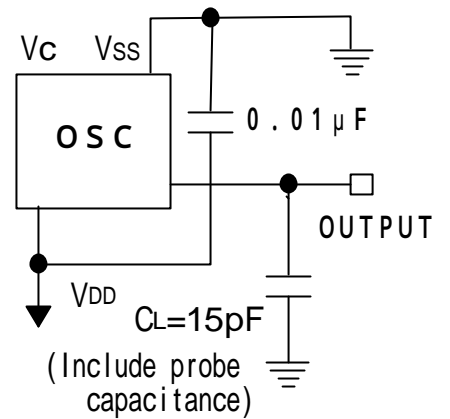
電気的特性 Specifications

項目 ITEM	型名 TYPE	AS57272VCB
Output Frequency 出力周波数		57.2727MHz
Frequency Deviation Range 周波数可変範囲		±100ppm min/Vc=1.65V±1.65V
Frequency Stability 周波数安定度		±30ppm min/-20~+70/3.3V±5%(Initial Deviation at 25 included, Vc=1.65V, Vdd=3.3V)
Frequency Stability/ Power Supply Voltage 電源電圧周波数変動		±3.0ppm max/3.3V±5% (Reference at 25, Vc=1.65V)
Operating Temperature Range 動作温度範囲		-20~+70
Storage Temperature Range 保存温度範囲		-40~+85
Power Supply Voltage 電源電圧		+3.3V±5%
Power Consumption (No Load) 消費電流(無負荷)		typ: 11mA/3.3V, max: 15mA/3.3V
Output Symmetry 出力波形対称性		45% to 55% (at 1/2V _{DD})/5.0V/25
Rise Time/Fall Time 立ち上がり、立ち下がり時間		3.0nS max(0.3~3.0V)/3.0nS max(3.0~0.3V)
Output Load 出力負荷		CMOS/15pF
Output Level 出力レベル		V _{OH} : +3.0V min/V _{OL} : +0.3V max
Assembly Temperature Range 実装温度条件		Peak Temperature 240 ±5 for 5seconds max. Maximum Temperature: 245

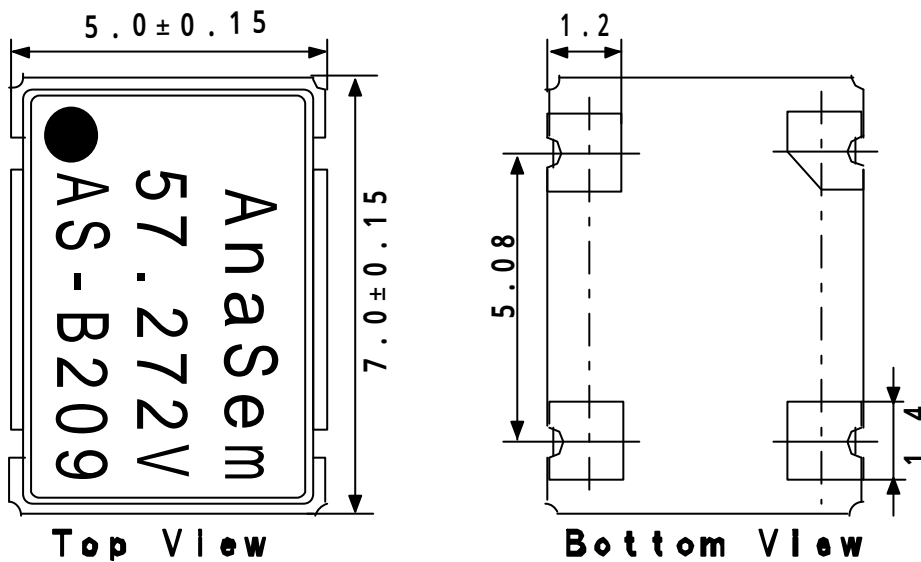
推奨半田付け条件 / Recommended Reflow Soldering Condition



測定回路 Measurement Circuit



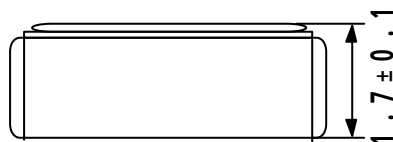
外形寸法 Dimensions



接続端子 Pin Connections

Pin Connections

	Vc
	GND (Vss)
	OUTPUT
	+3.3V (VDD)



(Unit:mm)

マーキング Marking

AS - B209

↓ ↓ ↓
a b c

a	Maker / ID: AS=AnaSem. InC
b	Product Version/B:B Version
c	Production Week&Year: 209/9th week/2002

製造元: アナセム株式会社

Maker : Ana Sem **IO**

〒274-0825 船橋市前原西2丁目13-10

2-13-10 Maehara Nishi Funabashi Chiba Japan

TEL (047) 470-5810 FAX 470-5825

Home Page: <http://www.anasem.co.jp>

e-mail: support@anasem.co.jp