

AnaSem

# Crystal Oscillators

## VCXO/SMD Clock Oscillator

### 53.416MHz / ±75 ppm / AS53416VCB

## 特長

周波数可変範囲: ±100 ppm /  $V_c = 2.5V \pm 2.0V$   
 周波数安定度: ±30 ppm / -20 ~ 70 °C,  $V_{dd} = 5.0V \pm 5\%$   
 低消費電流: 30 mA / 53 MHz / 5.0 V  
 動作電圧範囲: 5.0 V ± 5 %  
 セラミックパッケージ (7 × 5 × 1.7 mm)  
 出力デューティ: 45 ~ 55 % / 2.5

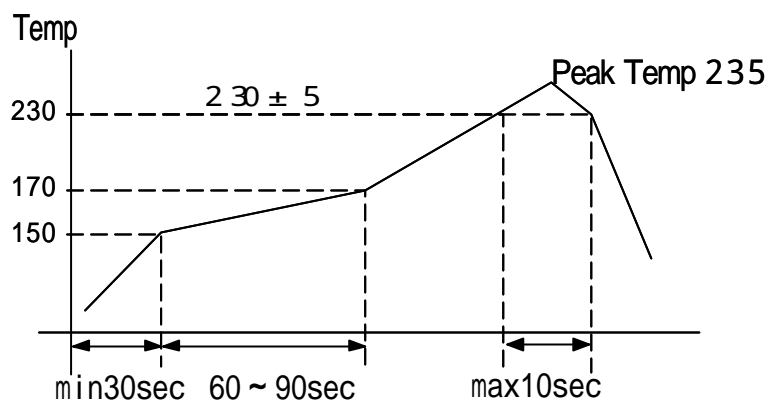
## Features

Frequency Deviation Range  
 Frequency Stability: ± 30 ppm  
 Low Power Consumption: 30 mA / 5 V  
 Operating Voltage: 5.0 V ± 5 %  
 Ceramic Package (7 × 5 × 1.7 mm)  
 Output Duty: 45 ~ 55 % / 2.5

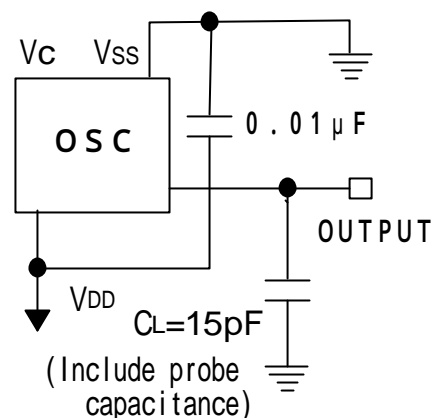
## 電気的特性 Specifications

項目 ITEM	型名 TYPE	AS53416VCB
Output Frequency 出力周波数		53.416 MHz
Frequency Deviation Range 周波数可変範囲		±100 ppm min / $V_c = 2.5V \pm 2.0V$
Frequency Stability 周波数安定度		±30 ppm min / -20 ~ +70 °C / $5V \pm 5\%$ (Initial Deviation at 25 °C included, $V_c = 2.5V$ , $V_{dd} = 5.0V$ )
Frequency Stability / Power Supply Voltage 電源電圧周波数変動		±2.0 ppm max / $5.0V \pm 5\%$ (Reference at 25 °C, $V_c = 2.5V$ )
Operating Temperature Range 動作温度範囲		-20 ~ +70
Storage Temperature Range 保存温度範囲		-40 ~ +85
Power Supply Voltage 電源電圧		+5.0 V ± 5 %
Power Consumption (No Load) 消費電流 (無負荷)		typ: 30 mA / 5.0 V, max: 45 mA / 5.0 V
Output Symmetry 出力波形対称性		45 % to 55 % (at 1/2 $V_{DD}$ ) / 5.0 V / 2.5
Rise Time / Fall Time 立ち上がり、立ち下がり時間		6.0 nS max (0.5 ~ 4.5 V) / 6.0 nS max (4.5 ~ 0.5 V)
Output Load 出力負荷		15 pF
Input Level 入力レベル		$V_{IH}$ : +4.5 V min / $V_{IL}$ : +0.5 V max
Output Level 出力レベル		$V_{OH}$ : +4.5 V min / $V_{OL}$ : +0.5 V max
Assembly Temperature Range 実装温度条件		Peak Temperature 230 ± 5 for 10 seconds max. Maximum Temperature: 235

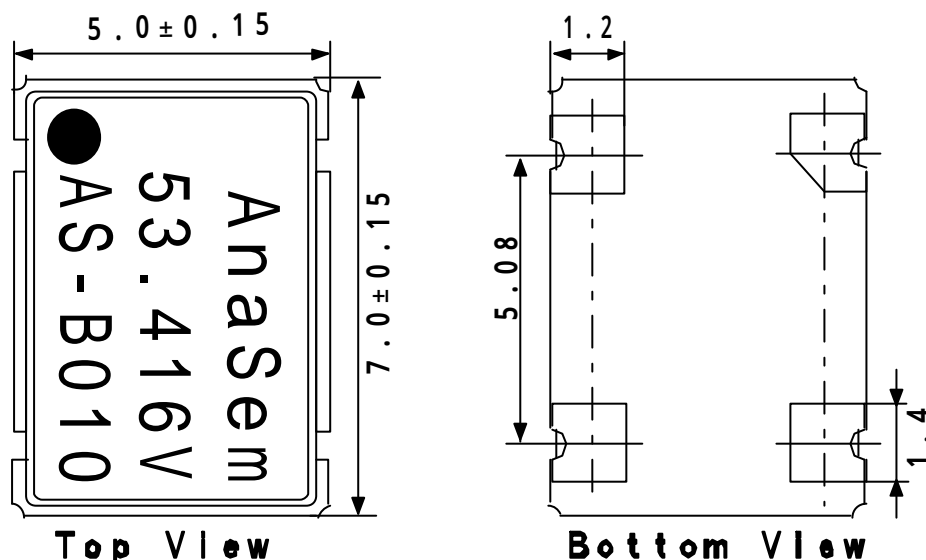
# 推奨半田付け条件 / Recommended Reflow Soldering Condition



# 測定回路 Measurement Circuit



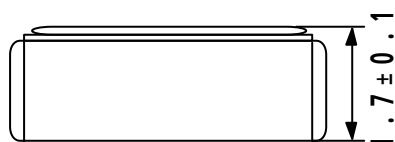
# 外形寸法 Dimensions



# 接続端子 Pin Connections

## Pin Connections

	Vc
	GND (Vss)
	OUTPUT
	+5.0V (VDD)



(Unit:mm)

# マーキング Marking

AS - B010

↓ ↓ ↓  
a b c

a	Maker/ID:AS=AnaSem.InC
b	Product Version/B:B Version
c	Production Week&Year:010/10th week/2000

製造元: アナセム株式会社

Maker : Ana Sem **IO**

〒274-0825 船橋市前原西2丁目13-10

2-13-10 Maehara Nishi Funabashi Chiba Japan

TEL(047)470-5810 FAX470-5825

Home Page: <http://www.anasem.co.jp>

e-mail: [support@anasem.co.jp](mailto:support@anasem.co.jp)