

AnaSem

Crystal Oscillators

VCXO/SMD Clock Oscillator

49.140MHz / ± 100 ppm / AS49140VCA

特長

周波数可変範囲: ± 100 ppm / $V_c = 2.5V \pm 2.0V$
 周波数安定度: ± 30 ppm / $-20 \sim 70$, $V_{dd} = 5.0V \pm 5\%$
 低消費電流: 30 mA / 49 MHz / 5.0 V
 動作電圧範囲: 5.0 V $\pm 5\%$
 セラミックパッケージ (7×5×1.7mm)
 出力デューティ: 45 ~ 55% / 2.5

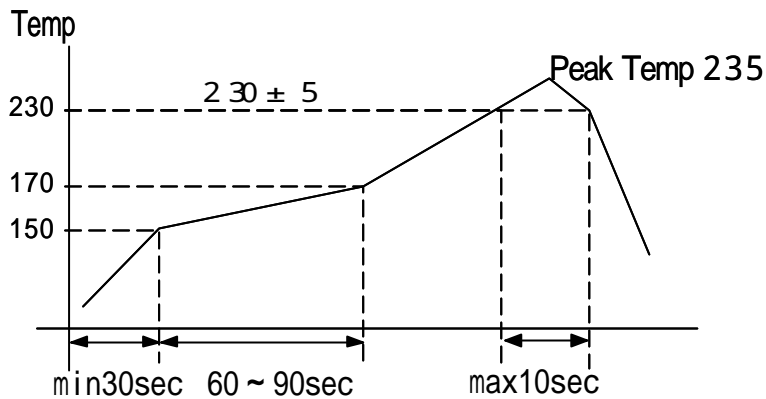
Features

Frequency Deviation Range
 Frequency Stability: ± 30 ppm
 Low Power Consumption: 30 mA / 5 V
 Operating Voltage: 5.0 V $\pm 5\%$
 Ceramic Package (7×5×1.7mm)
 Output Duty: 45 ~ 55% / 2.5

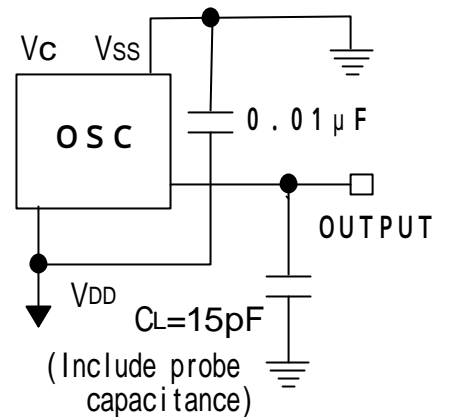
電気的特性 Specifications

項目 ITEM	型名 TYPE	AS49140VCA
Output Frequency 出力周波数		49.1400 MHz
Frequency Deviation Range 周波数可変範囲		± 100 ppm min / $V_c = 2.5V \pm 2.0V$
Frequency Stability 周波数安定度		± 30 ppm min / $-20 \sim +70$ / $5V \pm 5\%$ (Initial Deviation at 25 included, $V_c = 2.5V$, $V_{dd} = 5.0V$)
Frequency Stability/ Power Supply Voltage 電源電圧周波数変動		± 2.0 ppm max / $5.0V \pm 5\%$ (Reference at 25 , $V_c = 2.5V$)
Operating Temperature Range 動作温度範囲		$-20 \sim +70$
Storage Temperature Range 保存温度範囲		$-40 \sim +85$
Power Supply Voltage 電源電圧		$+5.0V \pm 5\%$
Power Consumption (No Load) 消費電流 (無負荷)		typ: 30mA / 5.0V, max: 45mA / 5.0V
Output Symmetry 出力波形対称性		45% to 55% (at $1/2V_{DD}$) / 5.0V / 2.5
Rise Time / Fall Time 立ち上がり、立ち下がり時間		6.0nS max (0.5~4.5V) / 6.0nS max (4.5~0.5V)
Output Load 出力負荷		15 pF
Input Level 入力レベル		$V_{IH}: +4.5V$ min / $V_{IL}: +0.5V$ max
Output Level 出力レベル		$V_{OH}: +4.5V$ min / $V_{OL}: +0.5V$ max
Assembly Temperature Range 実装温度条件		Peak Temperature 230 ± 5 for 10 seconds max. Maximum Temperature: 235

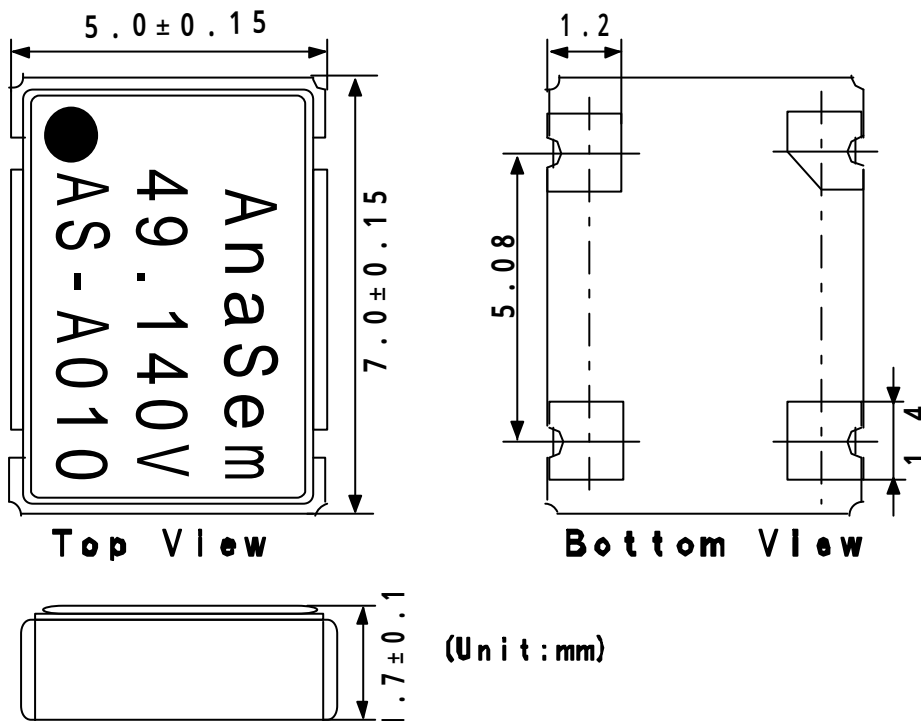
推奨半田付け条件 / Recommended Reflow Soldering Condition



測定回路 Measurement Circuit



外形寸法 Dimensions



接続端子 Pin Connections

Pin Connections

	Vc
	GND (Vss)
	OUTPUT
	+5.0V (VDD)

マーキング Marking

AS - A010

↓ ↓ ↓
a b c

a	Maker / ID: AS=AnaSem. InC
b	Product Version/A: A Version
c	Production Week&Year: 010/10th week/2000

製造元: アナセム株式会社

Maker : Ana Sem Inc

〒274-0825 船橋市前原西2丁目13-10

2-13-10 Maehara Nishi Funabashi Chiba Japan

TEL (047) 470-5810 FAX 470-5825

Home Page: <http://www.anasem.co.jp>

e-mail: support@anasem.co.jp