

AnaSem

# Crystal Oscillators

## VCXO/SMD Clock Oscillator

### 44.736MHz / ±100ppm / AS44736VCA

## 特長

周波数可変範囲: ±100ppm/Vc=2.5V±2.0V  
 周波数安定度: ±30ppm/-20~70, Vdd=5.0V±5%  
 低消費電流: 25mA/44MHz/5.0V  
 動作電圧範囲: 5.0V±5%  
 セラミックパッケージ(7×5×1.7mm)  
 出力デューティ: 45~55%/25

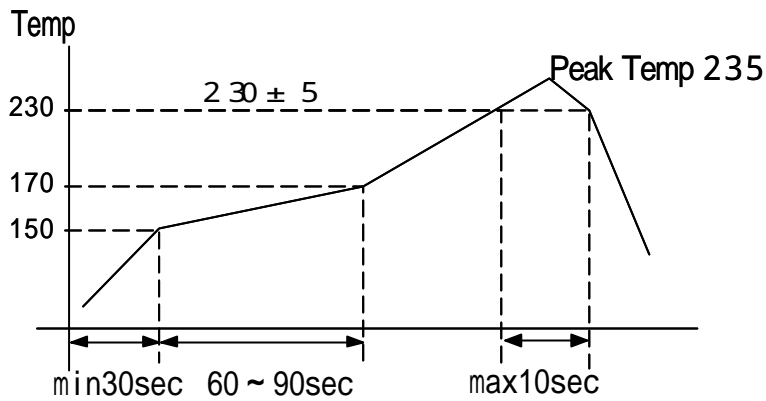
## Features

Frequency Deviation Range  
 Frequency Stability: ±20ppm  
 Low Power Consumption: 25mA/5V  
 Operating Voltage: 5.0V±5%  
 Ceramic Package (7×5×1.7mm)  
 Output Duty: 45~55%/25

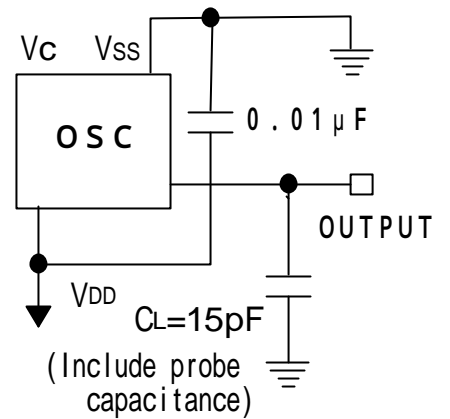
## 電気的特性 Specifications

項目 ITEM	型名 TYPE	AS44736VCA
Output Frequency 出力周波数		44.736000MHz
Frequency Deviation Range 周波数可変範囲		±100ppm min/Vc=2.5V±2.0V
Frequency Stability 周波数安定度		±30ppm min/-20~+70/5V±5%(Initial Deviation at 25 included, Vc=2.5V, Vdd=5.0V)
Frequency Stability/ Power Supply Voltage 電源電圧周波数変動		±3.0ppm max/5.0V±5% (Reference at 25, Vc=2.5V)
Operating Temperature Range 動作温度範囲		-20~+70
Storage Temperature Range 保存温度範囲		-40~+85
Power Supply Voltage 電源電圧		+5.0V±5%
Power Consumption (No Load) 消費電流(無負荷)		typ: 25mA/5.0V, max: 35mA/5.0V
Output Symmetry 出力波形対称性		45% to 55% (at 1/2VDD)/5.0V/25
Rise Time/Fall Time 立ち上がり、立ち下がり時間		6.0nS max(0.5~4.5V)/6.0nS max(4.5~0.5V)
Output Load 出力負荷		15pF
Output Level 出力レベル		V <sub>OH</sub> : +4.5V min/V <sub>OL</sub> : +0.5V max
Assembly Temperature Range 実装温度条件		Peak Temperature 230 ±5 for 10seconds max. Maximum Temperature: 235

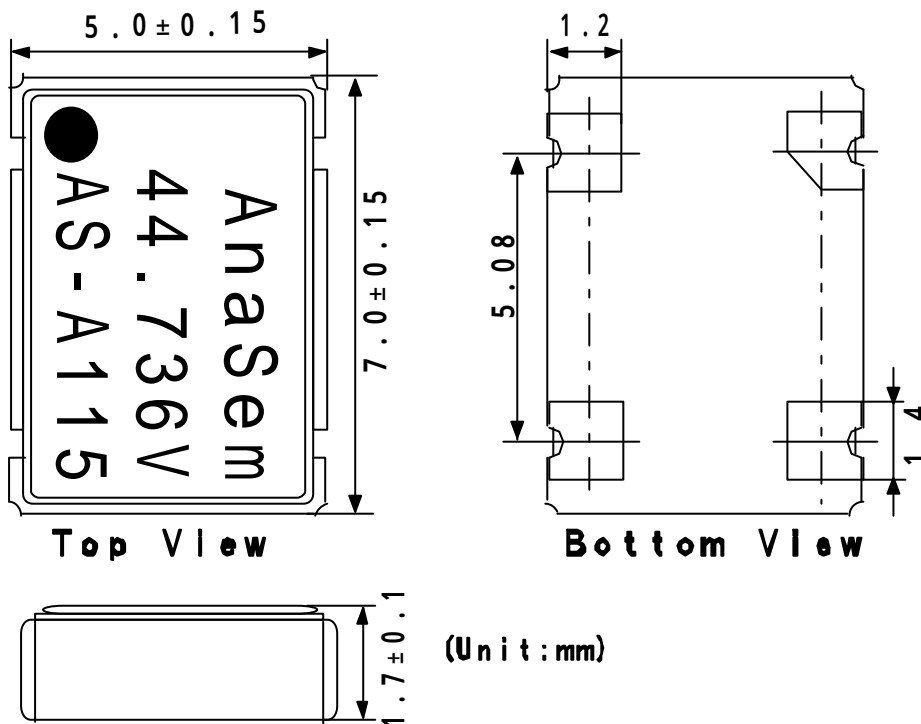
# 推奨半田付け条件 / Recommended Reflow Soldering Condition



# 測定回路 Measurement Circuit



# 外形寸法 Dimensions



# 接続端子 Pin Connections

## Pin Connections

	V <sub>c</sub>
	GND (V <sub>SS</sub> )
	OUTPUT
	+5.0V (V <sub>DD</sub> )

# マーキング Marking

**AS - A 1 1 5**

↓     ↓     ↓  
a     b     c

<b>a</b>	Maker / ID: AS=AnaSem. InC
<b>b</b>	Product Version/A: A Version
<b>c</b>	Production Week&Year: 115/15th week/2001

**製造元: アナセム株式会社**

**Maker : Ana Sem Inc**

〒274-0825 船橋市前原西2丁目13-10

2-13-10 Maehara Nishi Funabashi Chiba Japan

TEL (047) 470-5810 FAX 470-5825

Home Page: <http://www.anasem.co.jp>

e-mail: [support@anasem.co.jp](mailto:support@anasem.co.jp)