

Crystal Oscillators

VCXO/SMD Clock Oscillator

38.139855MHz / ± 160 ppm / AS38139VCA

特長

周波数可変範囲: ± 160 ppm/ $V_c=1.65V \pm 1.65V$
 周波数安定度: ± 30 ppm/ $-40 \sim 85$, $V_{dd}=3.3V \pm 5\%$
 低消費電流: 5mA / 38MHz / 3.3V
 動作電圧範囲: $3.3V \pm 5\%$
 セラミックパッケージ (7×5×1.7mm)
 出力デューティ: 45 ~ 55% / 25

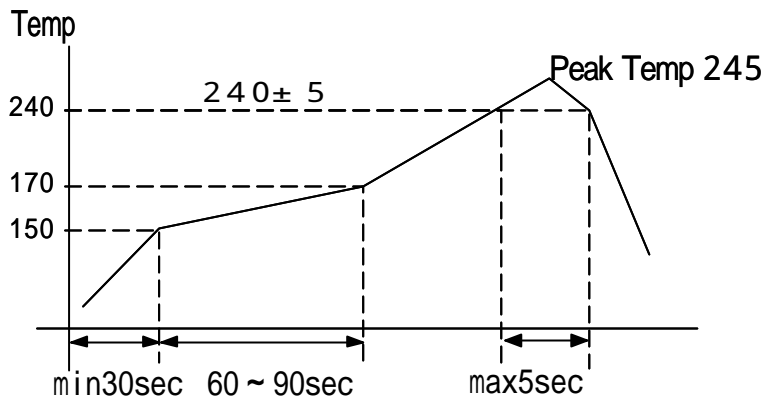
Features

Frequency Deviation Range
 Frequency Stability: ± 30 ppm
 Low Power Consumption: 5mA / 3.3V
 Operating Voltage: $3.3V \pm 5\%$
 Ceramic Package (7×5×1.7mm)
 Output Duty: 45 ~ 55% / 25

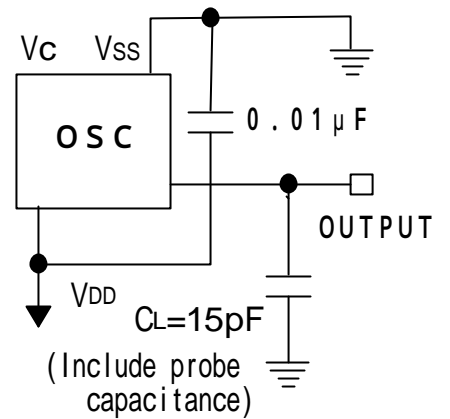
電気的特性 Specifications

項目 ITEM	型名 TYPE	AS38139VCA
Output Frequency 出力周波数		38.139855MHz
Frequency Deviation Range 周波数可変範囲		± 160 ppm min/ $V_c=1.65V \pm 1.65V$
Frequency Stability 周波数安定度		± 30 ppm min/ $-20 \sim 70$ / $3.3V \pm 5\%$ (Initial Deviation at 25 included, $V_c=1.65V$, $V_{dd}=3.3V$)
Frequency Stability/ Power Supply Voltage 電源電圧周波数変動		± 3.0 ppm max/ $3.3V \pm 5\%$ (Reference at 25, $V_c=1.65V$)
Operating Temperature Range 動作温度範囲		$-40 \sim +85$
Storage Temperature Range 保存温度範囲		$-55 \sim +125$
Power Supply Voltage 電源電圧		$+3.3V \pm 5\%$
Power Consumption (No Load) 消費電流 (無負荷)		typ: 5mA / 3.3V, max: 8mA / 3.3V
Output Symmetry 出力波形対称性		45% to 55% (at $1/2V_{DD}$) / 3.3V / 25
Rise Time/Fall Time 立ち上がり、立ち下がり時間		4.0nS max (0.3~3.0V) / 4.0nS max (3.0~0.3V)
Output Load 出力負荷		15pF
Input Level 入力レベル		$V_{IH}: +3.0V$ min / $V_{IL}: +0.3V$ max
Output Level 出力レベル		$V_{OH}: +3.0V$ min / $V_{OL}: +0.3V$ max
Assembly Temperature Range 実装温度条件		Peak Temperature 240 ± 5 for 5seconds max. Maximum Temperature: 245

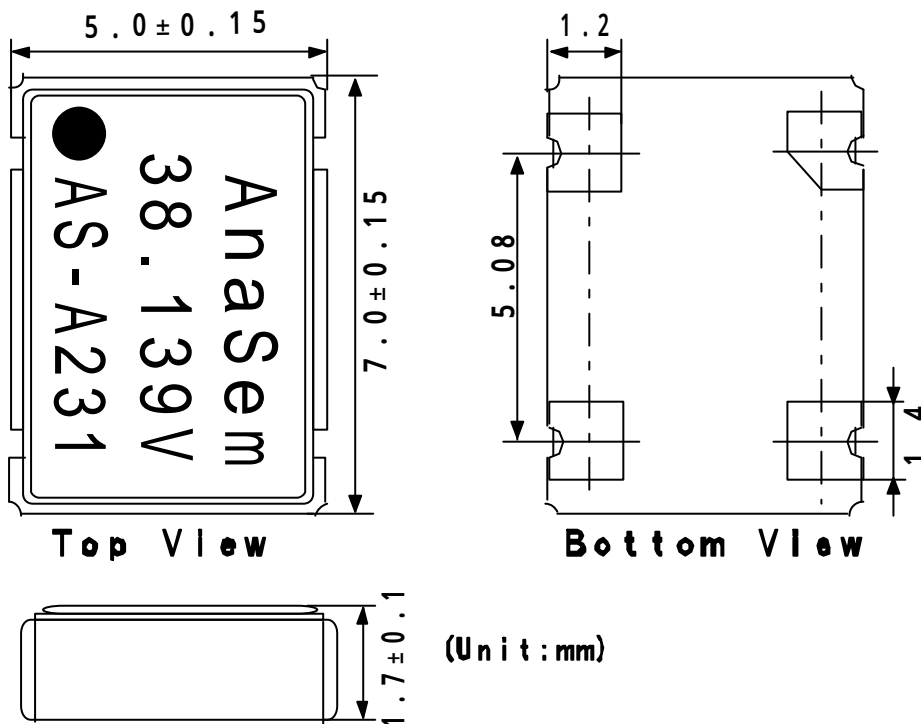
推奨半田付け条件/ Recommended Reflow Soldering Condition



測定回路 Measurement Circuit



外形寸法 Dimensions



接続端子 Pin Connections

Pin Connections

	Vc
	GND (Vss)
	OUTPUT
	+3.3V (VDD)

マーキング Marking

AS - A231

↓ ↓ ↓
a b c

a	Maker/ID:AS=AnaSem.InC
b	Product Version/A:A Version
c	Production Week&Year:231/31th week/2002

製造元: アナセム株式会社

Maker : Ana Sem Inc

〒274-0825 船橋市前原西2丁目13-10

2-13-10 Maehara Nishi Funabashi Chiba Japan

TEL(047)470-5810 FAX470-5825

Home Page: <http://www.anasem.co.jp>

e-mail: support@anasem.co.jp