

AnaSem

Crystal Oscillators

VCXO/SMD Clock Oscillator

33.000MHz / ±110ppm / AS33000VCA

特長

周波数可変範囲: ±110ppm/Vc=1.65V±1.65V
 周波数安定度: ±30ppm/-20~70, Vdd=3.3V±5%
 低消費電流: 6mA/35MHz/3.3V
 動作電圧範囲: 3.3V±5%
 セラミックパッケージ(7×5×1.7mm)
 出力デューティ: 45~55%/25

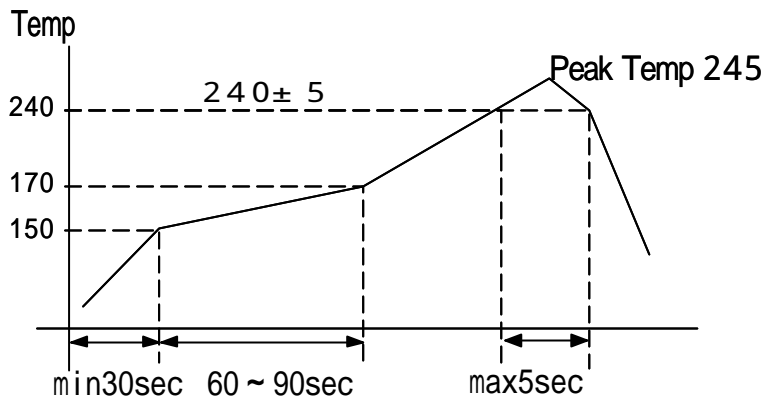
Features

Frequency Deviation Range
 Frequency Stability: ±30ppm
 Low Power Consumption: 6mA/3.3V
 Operating Voltage: 3.3V±5%
 Ceramic Package (7×5×1.7mm)
 Output Duty: 45~55%/25

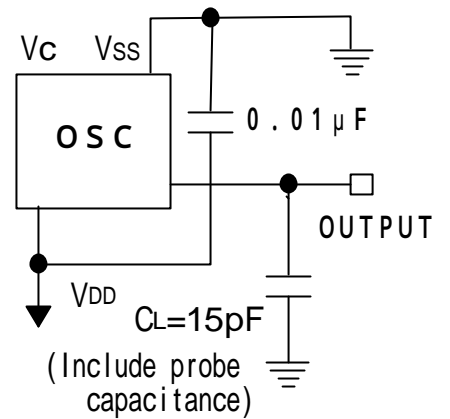
電気的特性 Specifications

項目 ITEM	型名 TYPE	AS33000VCA
Output Frequency 出力周波数		33.000MHz
Frequency Deviation Range 周波数可変範囲		±110ppm min/Vc=1.65V±1.65V
Frequency Stability 周波数安定度		±30ppm min/-20~70 /3.3V±5%(Initial Deviation at 25 included, Vc=1.65V, Vdd=3.3V)
Frequency Stability/ Power Supply Voltage 電源電圧周波数変動		±2.5ppm max/3.3V±5% (Reference at 25, Vc=1.65V)
Operating Temperature Range 動作温度範囲		-20~+70
Storage Temperature Range 保存温度範囲		-40~+85
Power Supply Voltage 電源電圧		+3.3V±5%
Power Consumption(No Load) 消費電流(無負荷)		typ: 6mA/3.3V, max: 10mA/3.3V
Output Symmetry 出力波形対称性		45% to 55%(at 1/2V _{DD})/3.3V/25
Rise Time/Fall Time 立ち上がり、立ち下がり時間		4.0nS max(0.3~3.0V)/4.0nS max(3.0~0.3V)
Output Load 出力負荷		15pF
Input Level 入力レベル		V _{IH} : +3.0V min/V _{IL} : +0.3V max
Output Level 出力レベル		V _{OH} : +3.0V min/V _{OL} : +0.3V max
Assembly Temperature Range 実装温度条件		Peak Temperature 240 ±5 for 5seconds max. Maximum Temperature: 245

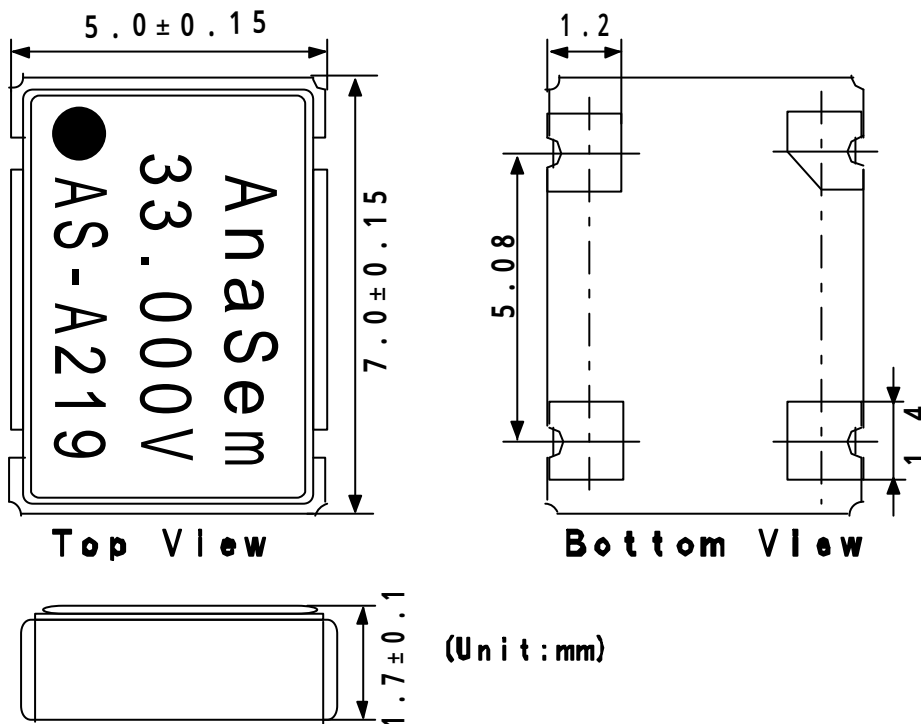
推奨半田付け条件/ Recommended Reflow Soldering Condition



測定回路 Measurement Circuit



外形寸法 Dimensions



接続端子 Pin Connections

Pin Connections

	Vc
	GND (Vss)
	OUTPUT
	+3.3V (VDD)

マーキング Marking

AS - A219

↓ ↓ ↓
a b c

a	Maker/ID:AS=AnaSem.InC
b	Product Version/A:A Version
c	Production Week&Year:219/19th week/2002

製造元: アナセム株式会社

Maker : Ana Sem Inc

〒274-0825 船橋市前原西2丁目13-10

2-13-10 Maehara Nishi Funabashi Chiba Japan

TEL(047)470-5810 FAX470-5825

Home Page: <http://www.anasem.co.jp>

e-mail: support@anasem.co.jp