

AnaSem

Crystal Oscillators

VCXO/SMD/Clock Oscillator

32.768MHz / ±150ppm / 5.0V / AS32768VCA

特長

周波数可変範囲: ±150ppm/Vc=2.5±2.0V
 周波数温度安定度: ±30ppm/-40~85
 低消費電流: Max 10mA/32MHz/5.0V
 動作電圧範囲: 5.0V ± 10%
 D I L - 14 ピンパッケージ
 出力負荷: 5 T T L + 15 p F

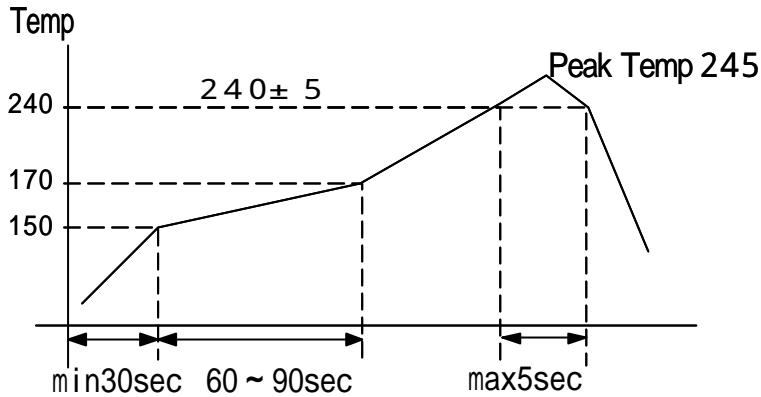
Features

Frequency Deviation Range
 Frequency Temperature Stability: ±30ppm
 Low Power Consumption
 Operating Voltage: 5.0V ± 10%
 DIL-14pin Package
 Output Load: 5 T T L + 15 p F

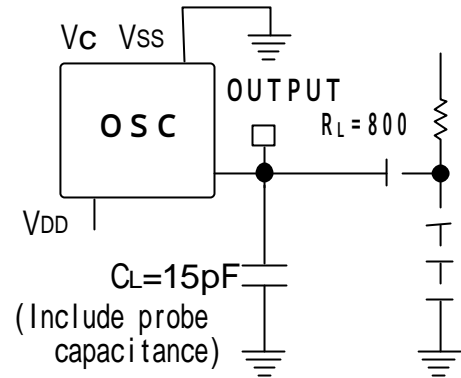
電気的特性 Specifications

項目 I T E M	型名 T Y P E	A S 3 2 7 6 8 V C A
Output Frequency 出力周波数		32.768MHz
Frequency Control Range 周波数可変範囲		±150ppm/2.5±2.0V
Frequency Stability 周波数安定度		±30ppm min/-40~+85 /5.0V±10% Initial Deviation at 25 included, Vc=2.5V, Vdd=5.0V)
Frequency Stability/ Power Supply Voltage 電源電圧周波数変動		±5.0ppm max/5.0V±10% (Reference at 25, Vc=2.5V)
Operating Temperature Range 動作温度範囲		-40~+85
Storage Temperature Range 保存温度範囲		-55~+125
Power Supply Voltage 電源電圧		+5.0V ± 10%
Current Consumption 消費電流 (No Load)		typ: 10mA/5.0V, max: 15mA/5.0V
Output Load 出力負荷		5 T T L + 15 p F
Output Symmetry 出力波形対称性		40% to 60% (at 1.4V _{DD}) / 5.0V / 25
Rise Time / Fall Time 立ち上がり、立ち下がり時間		6nS max(0.4~2.4V) / 6nS max(2.4~0.4V)
Output Level 出力レベル		V _{OH} : +2.4V min / V _{OL} : +0.4V max
Assembly Temperature Range 実装温度条件		Peak Temperature 240 ±5 for 5 seconds max. Maximum Temperature: 245

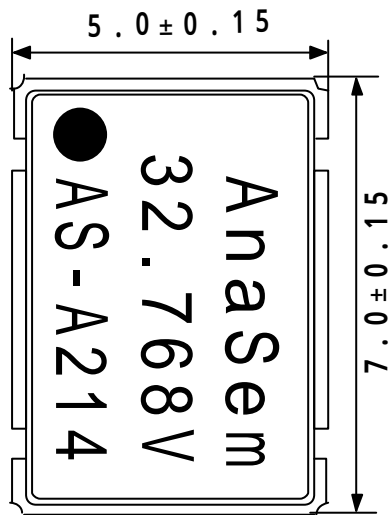
推奨半田付け条件/ Recommended Reflow Soldering Condition



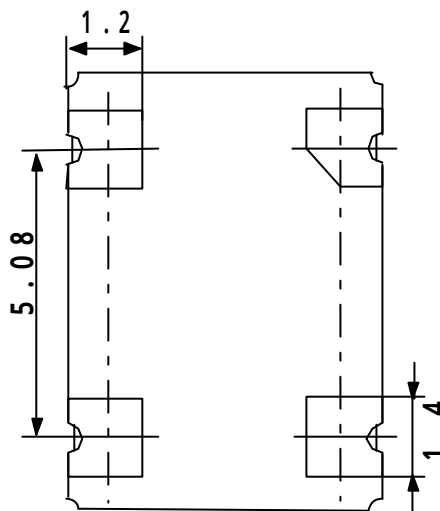
測定回路 Measurement Circuit



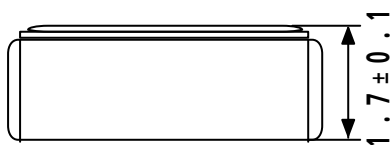
外形寸法 Dimensions



Top View



Bottom View



(Unit: mm)

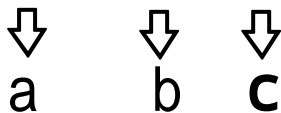
接続端子 Pin Connections

Pin Connections

	V _c
	GND (V _{SS})
	OUTPUT
	+5.0V (V _{DD})

マーキング Marking

AS - A214



a	Maker/ID:AS=AnaSem.InC
b	Product Version/A:A Version
c	Production Week&Year:214/14th week/2002

製造元: アナセム株式会社

Maker : Ana *Sem* *IO*

〒274-0825 船橋市前原西2丁目13-10

2-13-10 Maehara Nishi Funabashi Chiba Japan

TEL (047) 470-5810 FAX 470-5825

Home Page: <http://www.anasem.co.jp>

e-mail: support@anasem.co.jp