

AnaSem

Crystal Oscillators

VCXO/SMD PLL Multi-Clock Oscillator

27.000MHz/74.175/250MHz/3.3V/APR±80ppm/AS2774XVHA

特長

出力周波数 : 27MHz/74.175824MHz/74.250MHz
 周波数可変範囲 : APR±80ppm/Vc=1.65V±1.65V
 周波数安定度 : ±30ppm/-20~70 , Vdd=3.3V±5%
 低消費電流 : 20mA/74MHz/3.3V
 動作電圧範囲 : 3.3V±5%
 ワイアードオア出力(OUT1/OUT2)
 セラミックパッケージ(7×5×1.7mm)

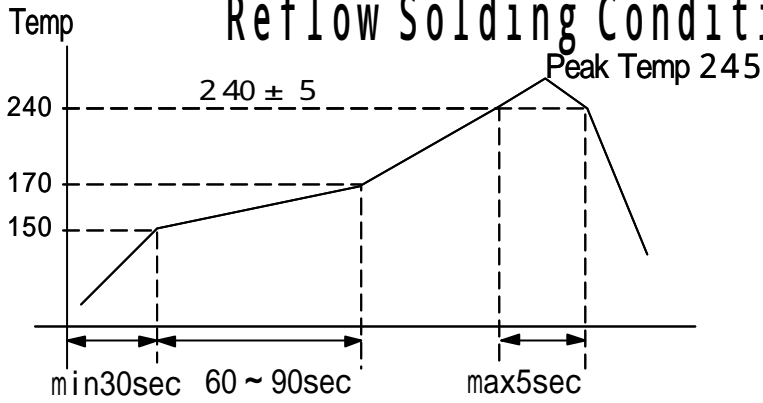
Features

Output Frequency: 27MHz/74.175824MHz/74.250MHz
 Frequency Deviation Range: APR=±80ppm
 Frequency Stability: ±30ppm
 Low Power Consumption: 20mA/3.3V
 Operating Voltage: 3.3V±5%
 Wired or output(OUT1/OUT2)
 Ceramic Package (7×5×1.7mm)

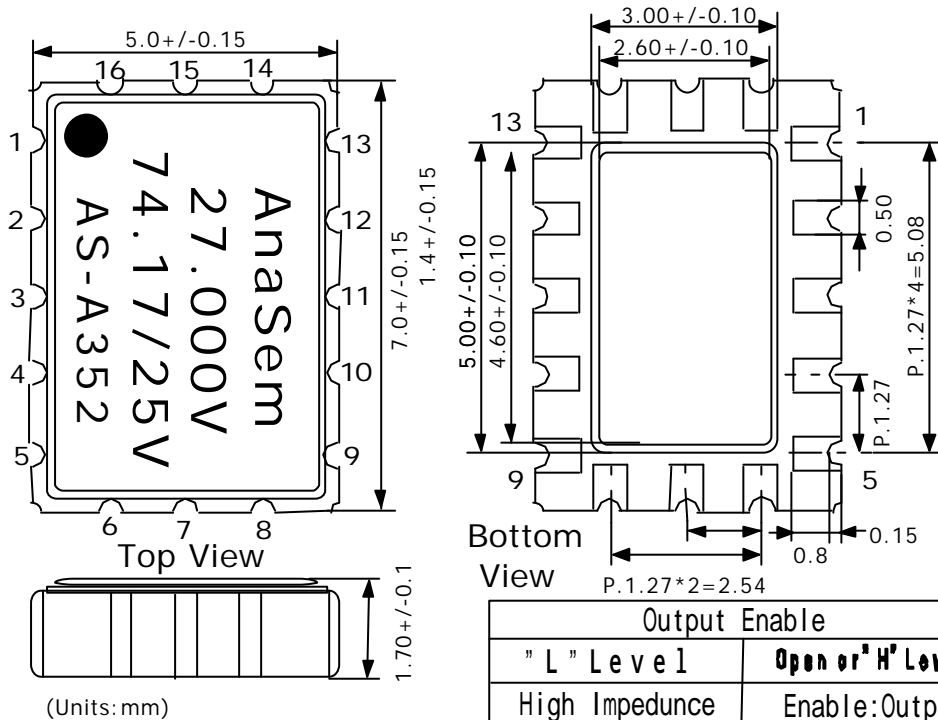
電気的特性 Specifications

項目 ITEM	型名 TYPE	AS2774XVHA
Output Frequency-1 出力周波数 - 1		27.000MHz/74.175824MHz/74.250MHz
Output Frequency-2 出力周波数 - 2		74.175824MHz/74.250MHz
Absolute Pulling Range(= Pullability- Stability) 絶対周波数可変範囲 (=周波数可変幅 - 安定度)		±80ppm min/Vc=1.65V±1.65V
Frequency Stability 周波数安定度		±30ppm max/-20~+70 /3.3V±5% at 25 included, Vc=1.65V, Vdd=3.3V)
Frequency Stability/ Power Supply Voltage 電源電圧周波数変動		±3.0ppm max/3.3V±5% (Initial Deviation (Reference at 25 , Vc=1.65V)
Frequency Tuning Voltage Range 公称周波数設定電圧偏差		Vt=1.65±0.16V/VDD=3.3V/25±2
Operating Temperature Range 動作温度範囲		-20~+70
Storage Temperature Range 保存温度範囲		-40~+85
Power Supply Voltage 電源電圧		+3.3V±5%
Power Consumption(No Load) 消費電流(無負荷)		typ: 20mA/3.3V, max: 30mA/3.3V
Output Symmetry 出力波形対称性		45% to 55%(at 1/2VDD)/3.3V/25
Rise Time/Fall Time 立ち上がり、立ち下がり時間		3.0nS max(0.3~3.0V)/3.0nS max(3.0~0.3V)
Output Load 出力負荷		15pF
Input Level 入力レベル		V _{IH} : +3.0V min/V _{IL} : +0.3V max
Output Level 出力レベル		V _{OH} : +3.0V min/V _{OL} : +0.3V max
Assembly Temperature Range 実装温度条件		Peak Temperature 240 ±5 for 5seconds max. Maximum Temperature: 245

推奨半田付け条件 / Recommended Reflow Soldering Condition



外形寸法 Dimensions



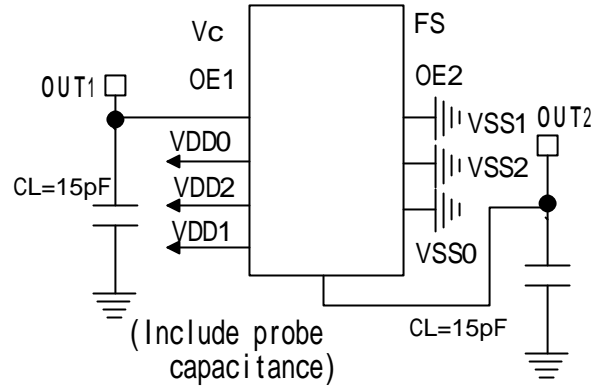
マーキング Marking

AS - A446

↓ ↓ ↓
a b c

a	Maker / ID: AS=AnaSem. Inc
b	Product Version/A:A Version
c	Production Week&Year: 446/46th week/2004

測定回路 Measurement Circuit



接続端子 Pin Connections

	Vc(Frequency Control)
	OE1(Output Enable1)
	Out1(27MHz/74xMHzOut)
	VDD0(VCX0 VDD)
	VDD2(PLL2 VDD)
	VDD1(PLL1 VDD)
	Out2(74.175/250MHzOut)
	Imon(Bias Current Mon)
	VSS0(VCX0 GND)
	VSS2(PLL2 GND)
	VSS1(PLL1 GND)
	OE2(Output Enable2)
	FS(74.175/74.250MHz)
	NC
	NC
	NC

Output Enable	
"L" Level	Open or "H" Level
High Impedance	Enable:Output

FS	OE1	OE2	Output1	Output2
H	L	L	27.000MHz	High Impedance
L	L	H	High Impedance	74.250MHz
H	L	H	High Impedance	74.175MHz
L	H	H	27.000MHz	74.175MHz
H	H	H	27.000MHz	74.250MHz

製造元: アナセム株式会社

Maker : Ana Sem Inc

〒274-0825 船橋市前原西2丁目13-10

2-13-10 Maehara Nishi Funabashi Chiba Japan

TEL(047)470-5810 FAX470-5825

Home Page: <http://www.anasem.co.jp>

e-mail: support@anasem.co.jp