

AnaSem

# Crystal Oscillators

## VCXO/SMD (5\*3.2\*1) Clock Oscillator

### 27.000MHz / 3.3V / APR ± 80ppm / AS27000VEA

## 特長

周波数可変範囲 : APR ± 80 ppm / Vc = 1.65V ± 1.65V

周波数安定度 : ± 30ppm / -20 ~ 70 °C, Vdd = 3.3V ± 5%

低消費電流 : 3mA / 27MHz / 3.3V

動作電圧範囲 : 3.3V ± 5%

セラミックパッケージ (5 × 3.2 × 1mm)

出力デューティ : 45 ~ 55% / 25

## Features

Frequency Deviation Range

Frequency Stability: ± 30 ppm

Low Power Consumption: 3mA / 3.3V

Operating Voltage: 3.3V ± 5%

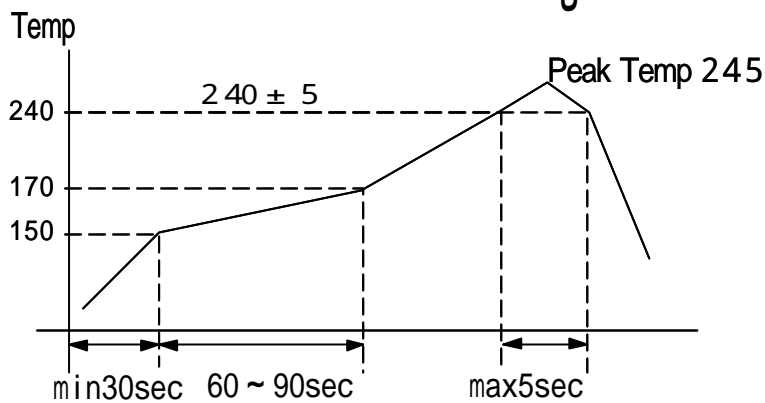
Ceramic Package (5 × 3.2 × 1mm)

Output Duty: 45 ~ 55% / 25

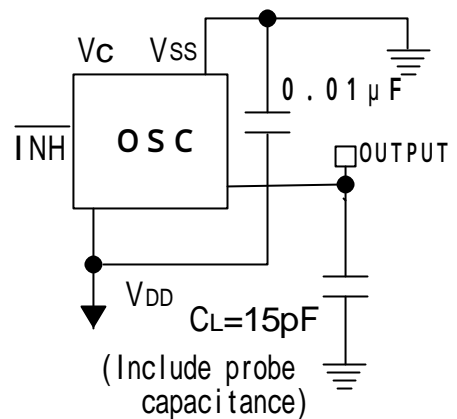
## 電気的特性 Specifications

項目 ITEM	型名 TYPE	AS27000VEA
Output Frequency 出力周波数		27.000MHz
Absolute Pulling Range (= Pullability - Stability) 絶対周波数可変範囲 (= 周波数可変幅 - 安定度)		± 80 ppm min / Vc = 1.65V ± 1.65V
Frequency Stability 周波数安定度		± 30 ppm max / -20 ~ +70 °C / 3.3V ± 5% (Initial Deviation at 25 °C included, Vc = 1.65V, Vdd = 3.3V)
Frequency Stability / Power Supply Voltage 電源電圧周波数変動		± 3.0 ppm max / 3.3V ± 5% (Reference at 25 °C, Vc = 1.65V)
Frequency Tuning Voltage Range 公称周波数設定電圧偏差		Vt = 1.65 ± 0.16V / VDD = 3.3V / 25 ± 2
Operating Temperature Range 動作温度範囲		-20 ~ +70
Storage Temperature Range 保存温度範囲		-40 ~ +85
Power Supply Voltage 電源電圧		+ 3.3V ± 5%
Power Consumption (No Load) 消費電流 (無負荷)		typ: 3mA / 3.3V, max: 4.5mA / 3.3V
Output Symmetry 出力波形対称性		45% to 55% (at 1/2 VDD) / 3.3V / 25
Rise Time / Fall Time 立ち上がり、立ち下がり時間		3.0nS max (0.3~3.0V) / 3.0nS max (3.0~0.3V)
Output Load 出力負荷		15 pF
Input Level 入力レベル		V <sub>IH</sub> : +3.0V min / V <sub>IL</sub> : +0.3V max
Output Level 出力レベル		V <sub>OH</sub> : +3.0V min / V <sub>OL</sub> : +0.3V max
Assembly Temperature Range 実装温度条件		Peak Temperature 240 ± 5 for 5 seconds max. Maximum Temperature: 245

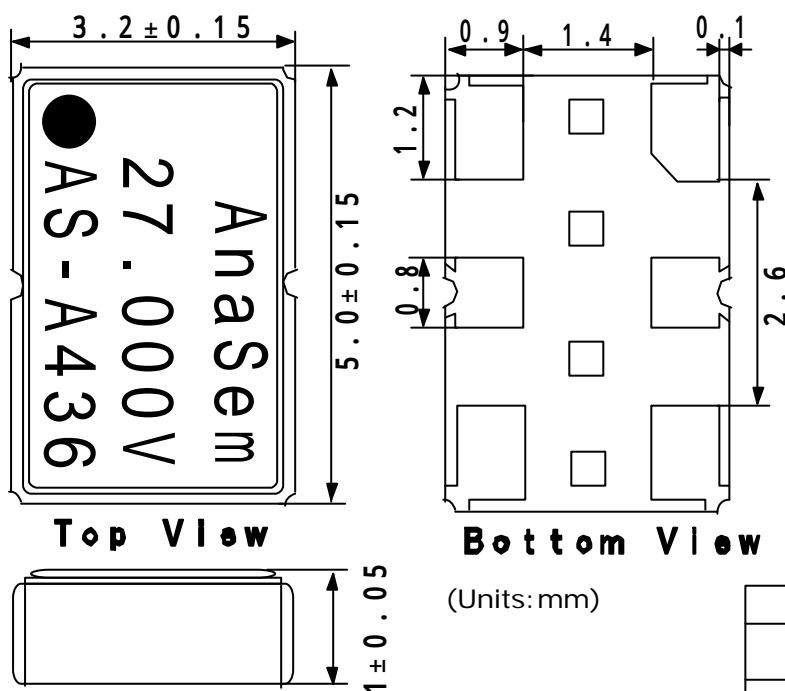
# 推奨半田付け条件 / Recommended Reflow Soldering Condition



# 測定回路 Measurement Circuit



# 外形寸法 Dimensions



# 接続端子 Pin Connections

## Pin Connections

	Vc
	INH
	GND (Vss)
	OUTPUT
	NC
	+3.3V (VDD)

/ INHIBIT	
"L" Level	Open or "H" Level
High Impedance	Enable: Output

# マーキング Marking

**AS - A436**

↓ ↓ ↓  
a b c

<b>a</b>	Maker / ID: AS=AnaSem. InC
<b>b</b>	Product Version/A: A Version
<b>c</b>	Production Week&Year: 436/36th week/2004

**製造元: アナセム株式会社**

**Maker : AnaSem Inc**

〒274-0825 船橋市前原西2丁目13-10

2-13-10 Maehara Nishi Funabashi Chiba Japan

TEL (047) 470-5810 FAX 470-5825

Home Page: <http://www.anasem.co.jp>

e-mail: [support@anasem.co.jp](mailto:support@anasem.co.jp)