

AnaSem

Crystal Oscillators

VCXO/SMD Clock Oscillator

27.000MHz/2.5V/±110ppm/AS27000VCF

特長

周波数可変範囲 : ±110ppm/Vc=1.25V±1.25V
 周波数安定度 : ±30ppm/-20~70 , Vdd=2.5V±5%
 低消費電流 : 2.8mA/27MHz/2.5V
 動作電圧範囲 : 2.5V±5%
 セラミックパッケージ (7×5×1.7mm)
 出力デューティ : 45~55%/25

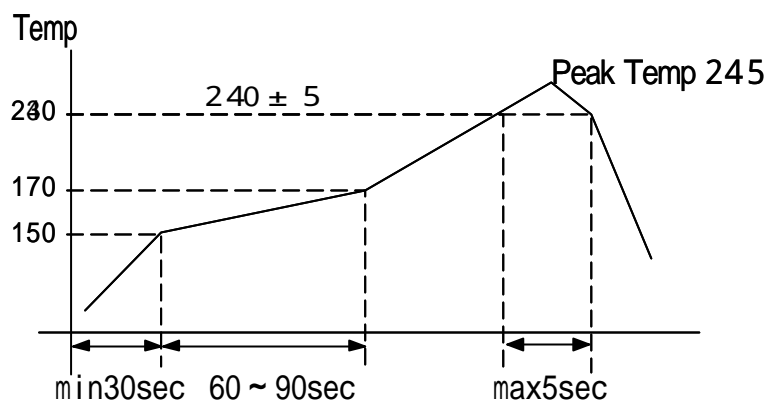
Features

Frequency Deviation Range
 Frequency Stability: ±30ppm
 Low Power Consumption: 2.8mA/2.5V
 Operating Voltage: 2.5V±5%
 Ceramic Package (7×5×1.7mm)
 Output Duty: 45~55%/25

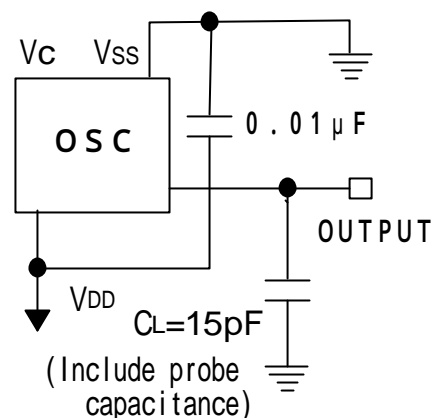
電気的特性 Specifications

項目 ITEM	型名 TYPE	AS27000VCF
Output Frequency 出力周波数		27.000MHz
Frequency Deviation Range 周波数可変範囲		±110ppm min/Vc=1.25V±1.25V
Frequency Stability 周波数安定度		±30ppm min/-20~+70 /2.5V±5%(Initial Deviation at 25 included, Vc=1.25V, Vdd=2.5V)
Frequency Stability/ Power Supply Voltage 電源電圧周波数変動		±3.0ppm max/2.5V±5% (Reference at 25 , Vc=1.25V)
Frequency Tuning Voltage Range 公称周波数設定電圧偏差		Vt=1.25±0.125V/VDD=2.5V/25±2
Operating Temperature Range 動作温度範囲		-20~+70
Storage Temperature Range 保存温度範囲		-40~+85
Power Supply Voltage 電源電圧		+2.5V±5%
Power Consumption(No Load) 消費電流 (無負荷)		typ: 2.8mA/2.5V, max: 4mA/2.5V
Output Symmetry 出力波形対称性		45% to 55%(at 1/2VDD)/2.5V/25
Rise Time/Fall Time 立ち上がり、立ち下がり時間		4.0nS max(0.25~2.25V)/4.0nS max(2.25~0.25V)
Output Load 出力負荷		15pF
Input Level 入力レベル		V _{IH} : +2.25V min/V _{IL} : +0.25V max
Output Level 出力レベル		V _{OH} : +2.25V min/V _{OL} : +0.25V max
Assembly Temperature Range 実装温度条件		Peak Temperature 240 ±5 for 5seconds max. Maximum Temperature: 245

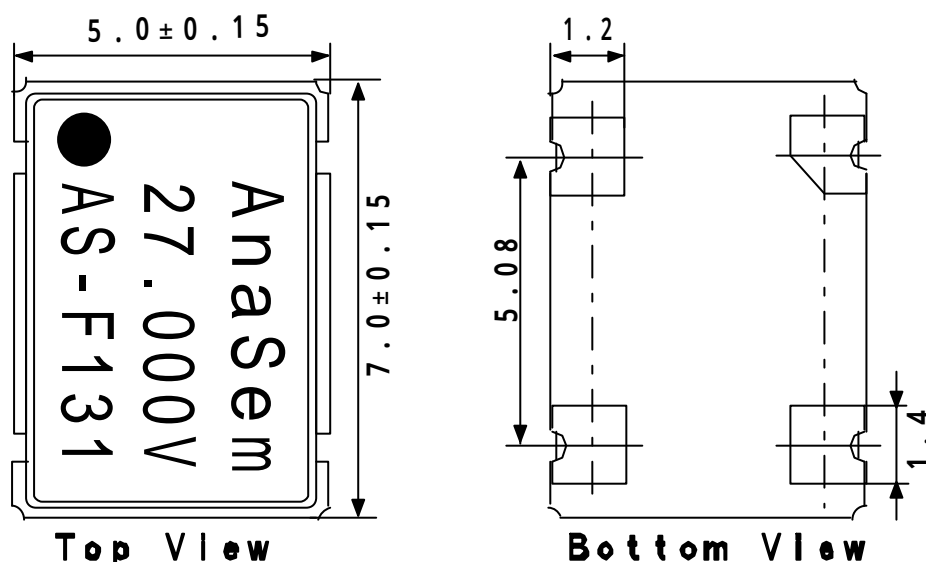
推奨半田付け条件 / Recommended Reflow Soldering Condition



測定回路 Measurement Circuit



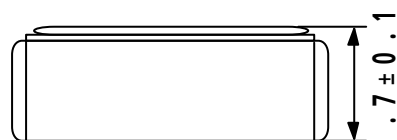
外形寸法 Dimensions



接続端子 Pin Connections

Pin Connections

	Vc
	GND (Vss)
	OUTPUT
	+2.5V (VDD)



(Unit: mm)

マーキング Marking

AS - F 1 3 1

↓ ↓ ↓
a b c

a	Maker / ID: AS=AnaSem. InC
b	Product Version / F : F Version
c	Production Week & Year: 131/31th week / 2001

製造元: **アナセム株式会社**

Maker : **Ana Sem Inc**

〒274-0825 船橋市前原西2丁目13-10

2-13-10 Maehara Nishi Funabashi Chiba Japan

TEL (047) 470-5810 FAX 470-5825

Home Page: <http://www.anasem.co.jp>

e-mail: support@anasem.co.jp