

AnaSem

# Crystal Oscillators

## VCXO/SMD Clock Oscillator

### 27.000MHz/2.4V/±110ppm/AS27000VCE

## 特長

周波数可変範囲 : ±110ppm/Vc=1.2V±1.2V  
 周波数安定度 : ±30ppm/-20~70 , Vdd=2.4V±5%  
 低消費電流 : 2.8mA/27MHz/2.4V  
 動作電圧範囲 : 2.4V±5%  
 セラミックパッケージ (7×5×1.7mm)  
 出力デューティ : 45~55%/25

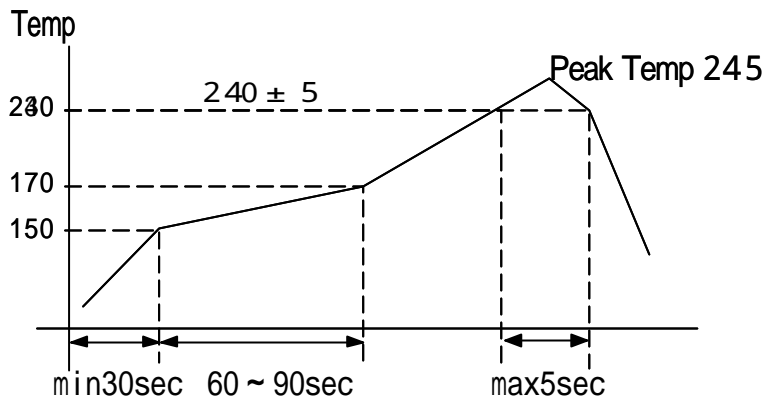
## Features

Frequency Deviation Range  
 Frequency Stability: ±30ppm  
 Low Power Consumption: 2.8mA/2.4V  
 Operating Voltage: 2.4V±5%  
 Ceramic Package (7×5×1.7mm)  
 Output Duty: 45~55%/25

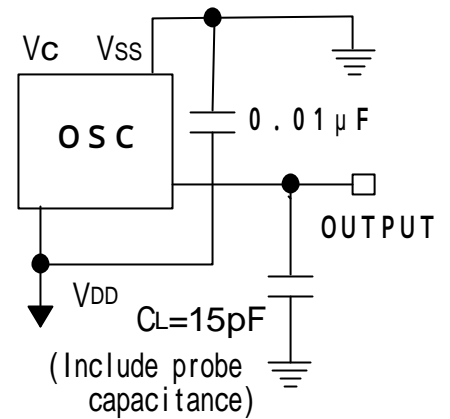
## 電気的特性 Specifications

項目 ITEM	型名 TYPE	AS27000VCE
Output Frequency 出力周波数		27.000MHz
Frequency Deviation Range 周波数可変範囲		±110ppm min/Vc=1.2V±1.2V
Frequency Stability 周波数安定度		±30ppm min/-20~+70 /2.4V±5%(Initial Deviation at 25 included, Vc=1.2V, Vdd=2.4V)
Frequency Stability/ Power Supply Voltage 電源電圧周波数変動		±3.0ppm max/2.4V±5% (Reference at 25 , Vc=1.2V)
Frequency Tuning Voltage Range 公称周波数設定電圧偏差		Vt=1.2±0.12V/VDD=2.4V/25±2
Operating Temperature Range 動作温度範囲		-20~+70
Storage Temperature Range 保存温度範囲		-40~+85
Power Supply Voltage 電源電圧		+2.4V±5%
Power Consumption (No Load) 消費電流 (無負荷)		typ: 2.8mA/2.4V, max: 4mA/2.4V
Output Symmetry 出力波形対称性		45% to 55% (at 1/2VDD)/2.4V/25
Rise Time/Fall Time 立ち上がり、立ち下がり時間		4.0nS max(0.24~2.16V)/4.0nS max(2.16~0.24V)
Output Load 出力負荷		15pF
Input Level 入力レベル		V <sub>IH</sub> : +2.16V min/V <sub>IL</sub> : +0.24V max
Output Level 出力レベル		V <sub>OH</sub> : +2.16V min/V <sub>OL</sub> : +0.24V max
Assembly Temperature Range 実装温度条件		Peak Temperature 240 ±5 for 5seconds max. Maximum Temperature: 245

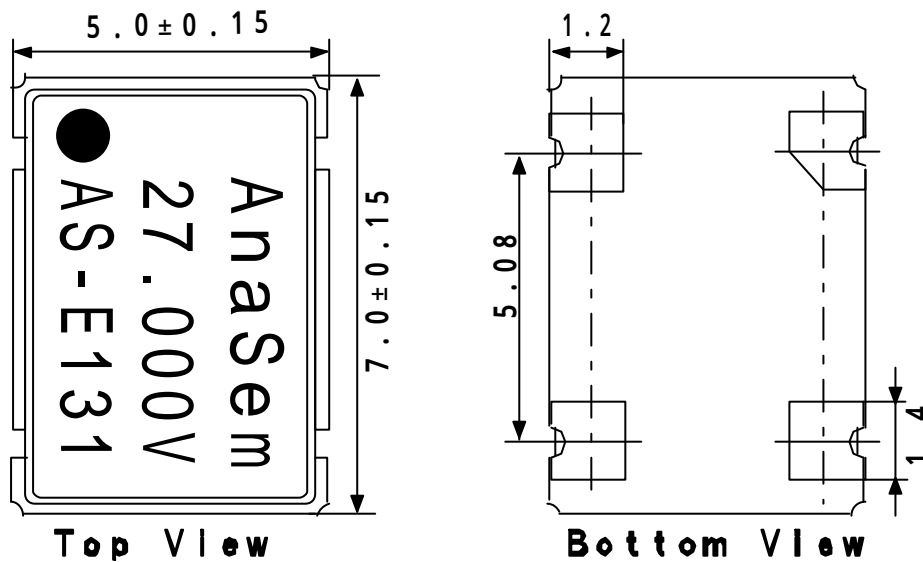
## 推奨半田付け条件 / Recommended Reflow Soldering Condition



## 測定回路 Measurement Circuit



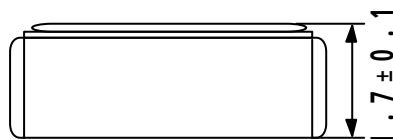
## 外形寸法 Dimensions



## 接続端子 Pin Connections

### Pin Connections

	Vc
	GND (Vss)
	OUTPUT
	+2.4V (VDD)



(Unit: mm)

## マーキング Marking

AS - E 1 3 1

↓ ↓ ↓  
a b c

a	Maker / ID: AS=AnaSem. InC
b	Product Version/E:E Version
c	Production Week&Year: 131/31th week/2001

製造元: アナセム株式会社

Maker : Ana Sem Inc

〒274-0825 船橋市前原西2丁目13-10

2-13-10 Maehara Nishi Funabashi Chiba Japan

TEL (047) 470-5810 FAX 470-5825

Home Page: <http://www.anasem.co.jp>

e-mail: [support@anasem.co.jp](mailto:support@anasem.co.jp)