

AnaSem

Crystal Oscillators

VCXO/SMD Clock Oscillator

24.576MHz / ±110ppm / AS24576VCB

特長

周波数可変範囲: ±110ppm/Vc=2.5V±2.0V
 周波数安定度: ±30ppm/-20~70, Vdd=5.0V±5%
 低消費電流: 10mA/24MHz/5.0V
 動作電圧範囲: 5.0V±5%
 セラミックパッケージ(7×5×1.7mm)
 出力デューティ: 45~55%/25

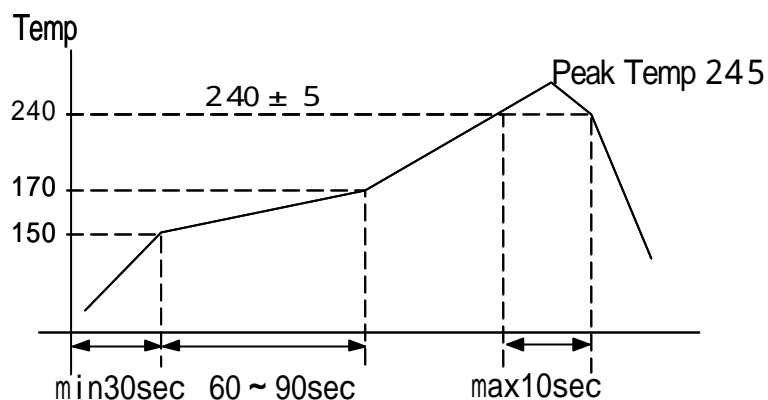
Features

Frequency Deviation Range
 Frequency Stability: ±30ppm
 Low Power Consumption: 10mA/5V
 Operating Voltage: 5.0V±5%
 Ceramic Package (7×5×1.7mm)
 Output Duty: 45~55%/25

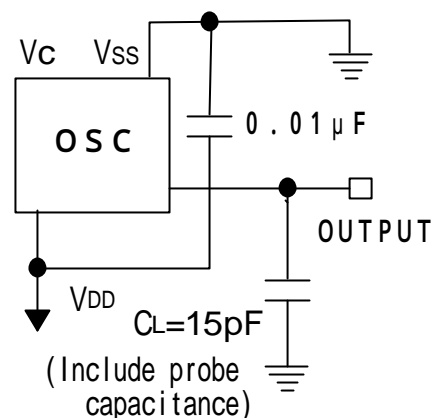
電気的特性 Specifications

項目 ITEM	型名 TYPE	AS24576VCB
Output Frequency 出力周波数		24.576MHz
Frequency Deviation Range 周波数可変範囲		±110ppm min/Vc=2.5V±2.0V
Frequency Stability 周波数安定度		±30ppm min/-20~+70/5V±5%(Initial Deviation at 25 included, Vc=2.5V, Vdd=5.0V)
Frequency Stability/ Power Supply Voltage 電源電圧周波数変動		±3.0ppm max/5.0V±5% (Reference at 25, Vc=2.5V)
Operating Temperature Range 動作温度範囲		-20~+70
Storage Temperature Range 保存温度範囲		-40~+85
Power Supply Voltage 電源電圧		+5.0V±5%
Power Consumption (No Load) 消費電流(無負荷)		typ: 10mA/5.0V, max: 13mA/5.0V
Output Symmetry 出力波形対称性		45% to 55% (at 1/2V _{DD})/5.0V/25
Rise Time/Fall Time 立ち上がり、立ち下がり時間		5.0nS max(0.5~4.5V)/5.0nS max(4.5~0.5V)
Output Load 出力負荷		15pF
Input Level 入力レベル		V _{IH} : +4.5V min/V _{IL} : +0.5V max
Output Level 出力レベル		V _{OH} : +4.5V min/V _{OL} : +0.5V max
Assembly Temperature Range 実装温度条件		Peak Temperature 240 ±5 for 10seconds max. Maximum Temperature: 245

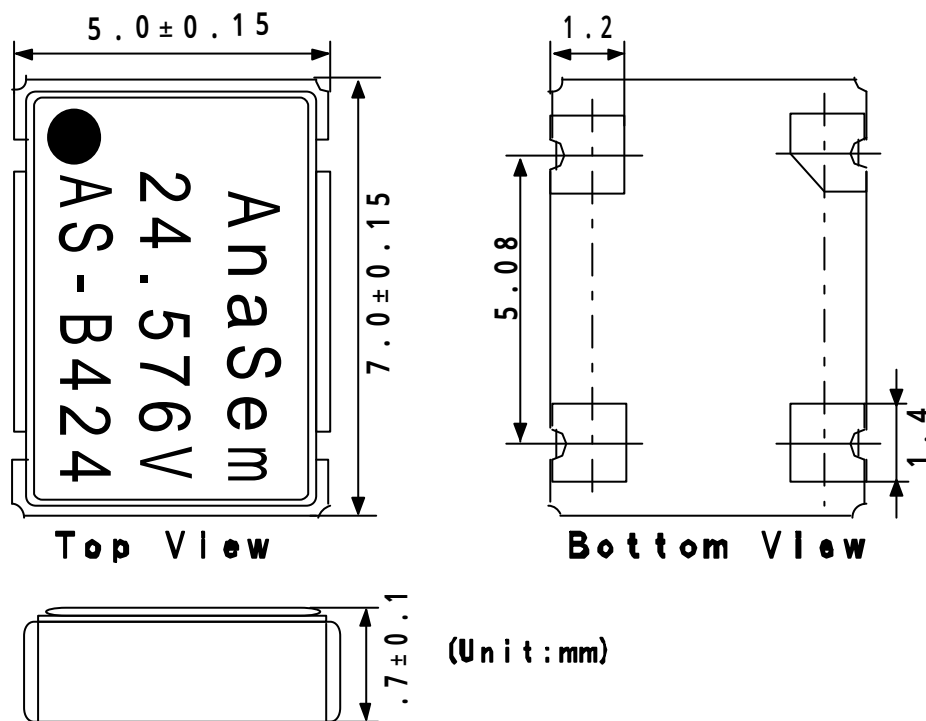
推奨半田付け条件 / Recommended Reflow Soldering Condition



測定回路 Measurement Circuit



外形寸法 Dimensions



接続端子 Pin Connections

Pin Connections

	V _c
	GND (V _{SS})
	OUTPUT
	+5.0V (V _{DD})

マーキング Marking

AS - B424
 ↓ ↓ ↓
 a b c

a	Maker / ID: AS=AnaSem. InC
b	Product Version/B:B Version
c	Production Week&Year: 424/24th week/2004

製造元: アナセム株式会社

Maker : Ana Sem Inc

〒274-0825 船橋市前原西2丁目13-10

2-13-10 Maehara Nishi Funabashi Chiba Japan

TEL (047) 470-5810 FAX 470-5825

Home Page: <http://www.anasem.co.jp>

e-mail: support@anasem.co.jp